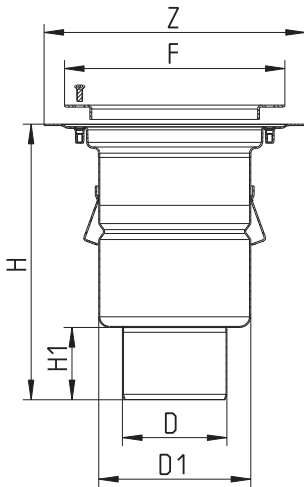


Tag: _____

SPECIFICATION: BLÜCHER BFD-530 AISI Type 304 stainless steel floor drain with 12"(300) round top with surface membrane clamp, 1/8"(3) grating (standard), and no hub bottom outlet.



Bottom Outlet



Optional Gratings			
	Suffix	Description	
	-None	1/8" (Standard)	<input type="checkbox"/>
	-LG	Ladder Grating	<input type="checkbox"/>
	-MG	Mesh Grating	<input type="checkbox"/>
	-SG	Slot Grating	<input type="checkbox"/>

Options		
Suffix	Description	
-316	Type 316 Stainless Steel	<input type="checkbox"/>
-B	Sediment Basket	<input type="checkbox"/>
-P	Stainless Steel P-Trap	<input type="checkbox"/>
-SB	Sand Bucket	<input type="checkbox"/>
-TPT	Trap Primer Tapping	<input type="checkbox"/>
-VP	Grate Secured w/Vandal Proof Screws	<input type="checkbox"/>
-W	Water Trap	<input type="checkbox"/>

Dimensional Chart

Model No.	Pipe Size D	D1	Top Size F	Z	H	H1
BFD-534	4"(110)	10-1/4"(260)	13"(332)	14-3/4"(375)	13-1/4"(336)	3"(76)
BFD-536	6"(160)	10-1/4"(260)	13"(332)	14-3/4"(375)	14"(355)	3-3/4"(95)

Job Name _____ Contractor _____
 Job Location _____ Approval _____
 Engineer _____ Contractor's P.O. No. _____
 Approval _____ Representative _____



A Watts Water Technologies Company



USA: 100 Watts Road, Spindale, NC, 28160-2298; www.blucherdrains.com
Canada: 5435 North Service Rd., Burlington, ONT. L7L 5H7; www.blucherdrains.ca