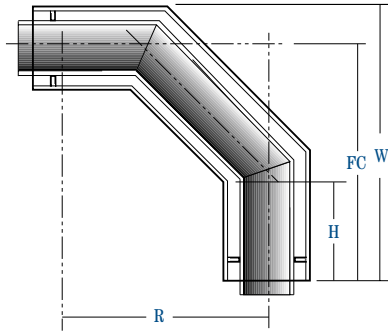
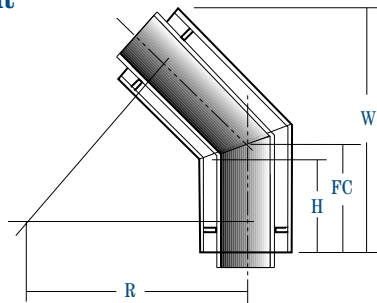


Dual Containment 90° Ell 3-Segment



Nominal Size	Carrier DR	Containment DR	Dimensions				Weight (lbs)	Shipping Method
			R (in.)	H (in.)	FC (in.)	W (in.)		
1"x3"	11	11	6.04	4.28	8.54	10.29	2	FedEx
1"x4"	11	11,17	6.04	4.07	8.54	10.79	2	FedEx
1.5"x4"	11	11,17	6.04	4.07	8.54	10.79	3	FedEx
2"x4"	11	11,17	6.04	4.07	8.54	10.79	3	FedEx
2"x6"	11	11,17	8.45	5.63	11.95	15.26	8	FedEx
3"x6"	11	11,17	8.45	5.63	11.95	15.26	10	FedEx
4"x8"	11,17	11,17,26	9.96	6.21	13.83	18.15	19	FedEx
6"x10"	11,17	11,17,26	14.49	7.27	18	23.36	42	FedEx
8"x12"	11,17,26	11,17,26,32.5	16.9	7.36	19.9	26.27	70	FedEx

Dual Containment 45° Ell 2-Segment



Nominal Size	Carrier DR	Containment DR	Dimensions				Weight (lbs)	Shipping Method
			R (in.)	H (in.)	FC (in.)	W (in.)		
1"x3"	11	11	6.04	4.28	5	9.772	2	FedEx
1"x4"	11	11,17	6.04	4.07	5	10.125	2	FedEx
1.5"x4"	11	11,17	6.04	4.07	5	10.125	2	FedEx
2"x4"	11	11,17	6.04	4.07	5	10.125	2	FedEx
2"x6"	11	11,17	8.45	5.63	7	14.29	6	FedEx
3"x6"	11	11,17	8.45	5.63	7	14.29	7	FedEx
4"x8"	11,17	11,17,26	9.96	6.21	8	16.704	12	FedEx
6"x10"	11,17	11,17,26	14.49	7.27	9.5	19.265	25	FedEx
8"x12"	11,17,26	11,17,26,32.5	16.9	7.36	10	20.118	42	FedEx

HDPE Dual Containment Piping

1-800-345-ISCO

www.isco-pipe.com