
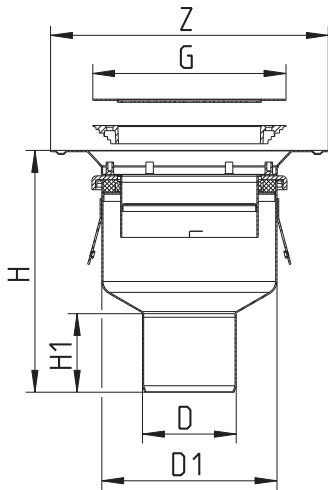


SPECIFICATION: BLÜCHER BSR-800 AISI Type 304 stainless steel adjustable shower drain with 8-3/4"(222) round top, surface membrane clamp for vinyl flooring, Vienna grating (standard), and no hub bottom outlet.



Optional Gratings			
	Suffix	Description	
	-C	Copenhagen	<input type="checkbox"/>



Dimensional Chart

Model	Pipe Size <i>D</i>	<i>D1</i>	Top Size <i>Z</i>	<i>G</i>	<i>H</i> Adjustable	<i>H1</i>
BSR-802	2"(50)	5-1/2"(140)	8-3/4"(222)	6-1/8"(155)	7-3/4"(197) - 8-15/16"(227)	2-5/16"(58)
BSR-803	3"(75)	5-1/2"(140)	8-3/4"(222)	6-1/8"(155)	7-5/8"(193) - 8-3/4"(223)	2-1/2"(63)
BSR-804	4"(110)	5-1/2"(140)	8-3/4"(222)	6-1/8"(155)	6-5/16"(161) - 7-3/4"(191)	3-1/8"(79)

Job Name _____ Contractor _____

Job Location _____ Approval _____

Engineer _____ Contractor's P.O. No. _____

Approval _____ Representative _____