

# BLÜCHER®

BCO-220

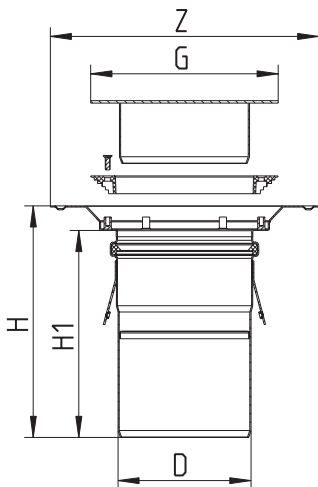
Tag: \_\_\_\_\_

## Floor Cleanout w/Surface Membrane Clamp for Vacuum Handle

**SPECIFICATION:** BLÜCHER BCO-220 AISI Type 304 stainless steel floor cleanout w/gasket seal round top w/surface membrane clamp for vacuum handle cover removal, and no hub pipe connection.



Options		
Suffix	Description	
-316	Type 316 Stainless Steel	<input type="checkbox"/>



### Dimensional Chart

Model No.	Pipe Size <i>D</i>	Top Size <i>Z</i>	<i>G</i>	<i>H</i>	<i>H1</i>
BCO-224	4" (110)	8-3/4" (222)	6-1/8" (155)	7-9/16" (192)	6-3/4" (171)

Job Name \_\_\_\_\_ Contractor \_\_\_\_\_  
 Job Location \_\_\_\_\_ Approval \_\_\_\_\_  
 Engineer \_\_\_\_\_ Contractor's P.O. No. \_\_\_\_\_  
 Approval \_\_\_\_\_ Representative \_\_\_\_\_

# BLÜCHER®

A Watts Water Technologies Company



USA: 100 Watts Road, Spindale, NC, 28160-2298; www.blucherdrains.com

Canada: 5435 North Service Rd., Burlington, ONT. L7L 5H7; www.blucherdrains.ca