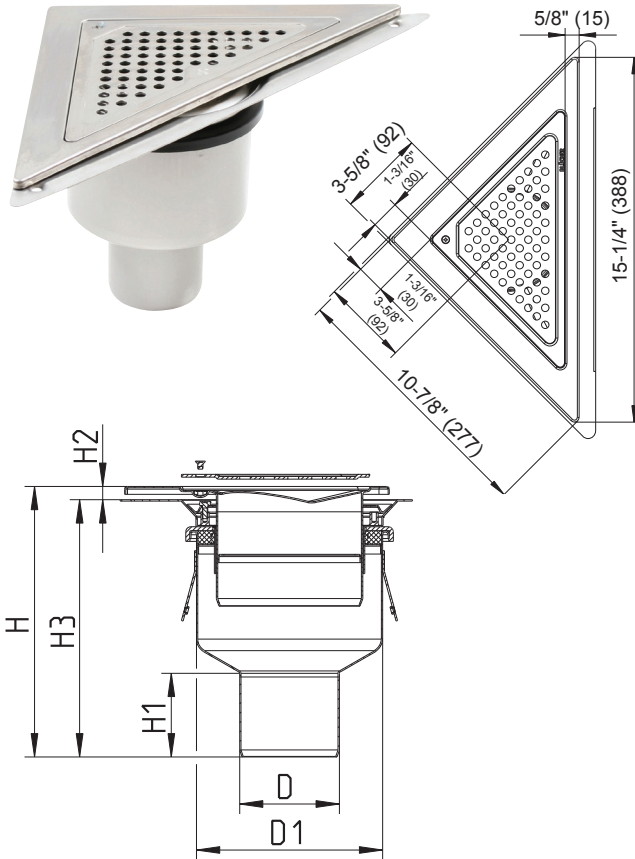







Tag: _____

SPECIFICATION: BLÜCHER BST-600 AISI Type 304 stainless steel adjustable shower drain with 11"x11"x15" (277x277x388) triangular top, membrane clamping flange, Vienna grating (standard), and no hub bottom outlet.



Optional Gratings			
	Suffix	Description	
	-A	Athens	<input type="checkbox"/>
	-C	Copenhagen	<input type="checkbox"/>
	-D	Detroit	<input type="checkbox"/>
	-N	New York	<input type="checkbox"/>
	-O	Oslo	<input type="checkbox"/>

Dimensional Chart

Model	Pipe Size <i>D</i>	<i>D1</i>	<i>H</i> Adjustable	<i>H1</i>	<i>H2</i> Adjustable	<i>H3</i> Adjustable
BST-602	2"(50)	5-1/2"(140)	8"(203) - 10-3/16"(258)	2-5/16"(58)	7/16"(10) - 2"(50)	7-5/8"(193) - 8-3/16"(208)
BST-603	3"(75)	5-1/2"(140)	8"(203) - 10-3/16"(258)	2-1/2"(63)	7/16"(10) - 2"(50)	7-5/8"(193) - 8-3/16"(208)

Job Name _____ Contractor _____

Job Location _____ Approval _____

Engineer _____ Contractor's P.O. No. _____

Approval _____ Representative _____

BLÜCHER®

A Watts Water Technologies Company



USA: 100 Watts Road, Spindale, NC, 28160-2298; www.blucherdrains.com

Canada: 5435 North Service Rd., Burlington, ONT. L7L 5H7; www.blucherdrains.ca