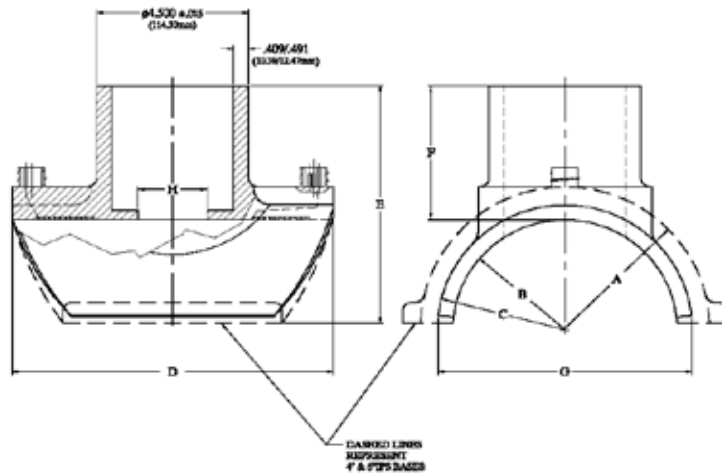


Branch Saddle: 4" IPS Butt Outlet



Nom. Pipe Saddle Size	Radius A	Radius B	Radius C	Dim. D	Dim. E	Dim. F	Dim. G	Dim. H
4" IPS X 4" IPS	2.92	2.26	N/A	8.38	6.00	3.85	7.00	2.16
6" IPS X 4" IPS	4.29	3.33	N/A	9.13	7.20	4.14	9.63	2.19
Multiple Base X 4" IPS	N/A	3.33	3.78	9.13	7.00	4.14	7.56	N/A

Outlet Size	Part #	Fusion Time Setting	Pin	Clamp Style See Page 207	Weight
4x4 IPS AWWA	5750806	A	3.0mm	F	2.531
4x4 IPS FM (CL 150)	5754086	A	3.0mm	F	2.531
6x4 IPS DR 9 AWWA	5757777	A	4.7mm	G	N/A
6x4 IPS DR 11 AWWA	5750807	A	3.0mm	G	3.816
6x4 IPS FM (CL 150)	5754087	A	3.0mm	G	3.186
Multi Saddle x 4 IPS	5750808	A	3.0mm	J	2.450

A=Automatic Identification for Fusion Time. M=Manual Setting or Bar Code Setting.
* Special Lead Requirements.

