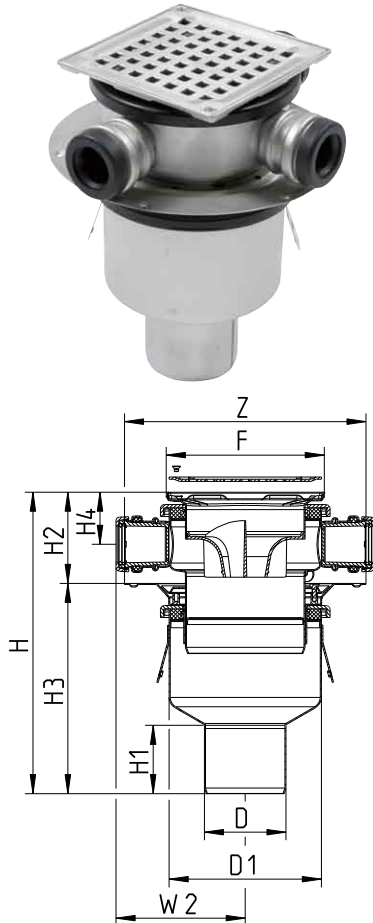




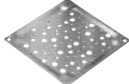


Tag: \_\_\_\_\_

**SPECIFICATION:** BLÜCHER BSS-400 AISI Type 304 stainless steel adjustable shower drain with 6"x6" (145x145) square top, membrane clamping flange, 1-1/4" (32) or 1-1/2" (38) side inlet connections, Vienna grating (standard), and no hub bottom outlet.



Optional Gratings			
	Suffix	Description	
	-A	Athens	<input type="checkbox"/>
	-C	Copenhagen	<input type="checkbox"/>
	-D	Detroit	<input type="checkbox"/>
	-N	New York	<input type="checkbox"/>
	-O	Oslo	<input type="checkbox"/>

#### Dimensional Chart

Model No.	Pipe Size D	D1	Top Size F	Z	H Adjustable	H1	H2 Adjustable	H3 Adjustable	H4 Adjustable	W2
BSS-402	2"(50)	5-1/2"(140)	6"x6" (145x145)	8-3/4"(222)	10-3/4"(273)- 13-5/16"(336)	2-5/16"(58)	3"(76)- 5"(126)	7-3/4"(197)- 8-3/8"(212)	1-15/16"(48)- 2-5/16"(58)	4-11/16"(119)
BSS-403	3"(75)	5-1/2"(140)	6"x6" (145x145)	8-3/4"(222)	10-9/16"(269)- 13-1/8"(334)	2-1/2"(63)	3"(76)- 5"(126)	7-5/8"(193)- 8-3/16"(208)	1-15/16"(48)- 2-5/16"(58)	4-11/16"(119)
BSS-404	4"(110)	5-1/2"(140)	6"x6" (145x145)	8-3/4"(222)	9-5/16"(237)- 11-7/8"(302)	3-1/8"(79)	3"(76)- 5"(126)	6-5/16"(161)- 6-15/16"(176)	1-15/16"(48)- 2-5/16"(58)	4-11/16"(119)

Job Name \_\_\_\_\_ Contractor \_\_\_\_\_

Job Location \_\_\_\_\_ Approval \_\_\_\_\_

Engineer \_\_\_\_\_ Contractor's P.O. No. \_\_\_\_\_

Approval \_\_\_\_\_ Representative \_\_\_\_\_