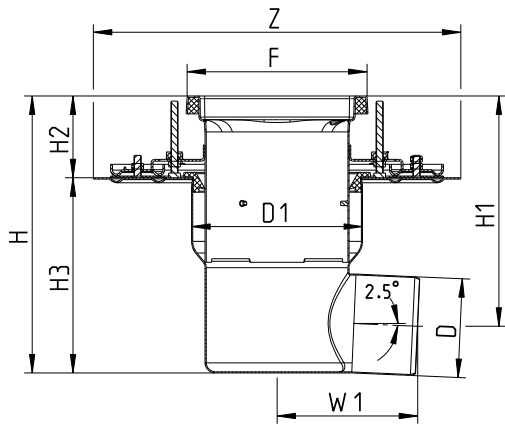


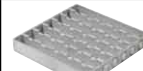




**SPECIFICATION:** BLÜCHER BFD-130-SO AISI Type 304 stainless steel adjustable floor drain with 12"x12" (300x300) square top, membrane clamping flange, 1/8" (3) grating (standard), and no hub side outlet.



Side Outlet



Optional Gratings			
Suffix	Description		
	-None	1/8" (Standard)	<input type="checkbox"/>
	-HG	Hygenic-Pro	<input type="checkbox"/>
	-LG	Ladder	<input type="checkbox"/>
	-MG	Mesh	<input type="checkbox"/>
	-SG	Slot	<input type="checkbox"/>

Options		
Suffix	Description	
-316	Type 316 Stainless Steel	
-B	Sediment Basket	
-P	Stainless Steel P-Trap	
-SB	Sand Bucket	
-TPT	Trap Primer Tapping	
-VP	Grate Secured w/Vandal Proof Screws	
-W	Water Trap	

#### Dimensional Chart

Model No.	Pipe Size D	D1	Top Size F	Z	H Adjustable	H1 Adjustable	H2 Adjustable	H3	W1
BFD-134-SO	4"(110)	11-1/2"(291)	12"x12"(300x300)	20"(507)	12-5/16"(313)- 14/11/16"(373)	10-1/4"(261)- 12-5/8"(321)	3-5/8"(91)- 6"(151)	8-3/4"(222)	8-1/8"(206)
BFD-136-SO	6"(160)	11-1/2"(291)	12"x12"(300x300)	20"(507)	12-5/16"(313)- 14/11/16"(373)	9-5/8"(245)- 13-11/16"(348)	3-5/8"(91)- 6"(151)	8-3/4"(222)	13-7/16"(341)

Job Name \_\_\_\_\_ Contractor \_\_\_\_\_  
 Job Location \_\_\_\_\_ Approval \_\_\_\_\_  
 Engineer \_\_\_\_\_ Contractor's P.O. No. \_\_\_\_\_  
 Approval \_\_\_\_\_ Representative \_\_\_\_\_