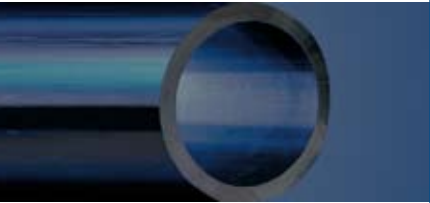
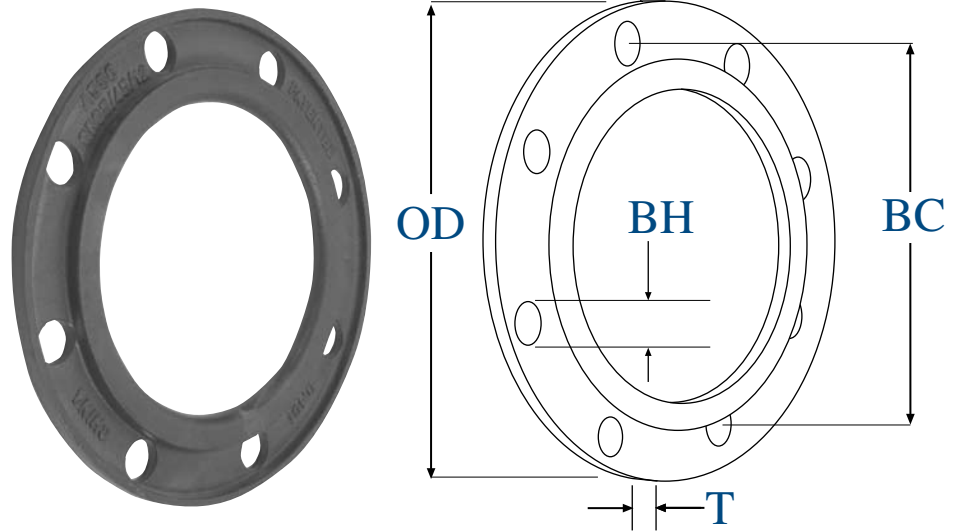


**DIPS Back Up Rings (For use with the Flange Adapter)**



DIPS  
HDPE  
Fittings



**DIPS Backup Ring**

Nominal Pipe Size(in)	Pipe OD(in)	Material	Dimensions				Pressure Rating	Weight (lbs)	Shipping Method
			OD(in)	T(in)	Bolts(#)	BH(in) BC(in)			
4	4.8	Ductile Iron	9	0.94	8	0.75 7.5	275	5.0 - 5.1	FedEx
		Stainless Steel		0.94	"	" "	275	5.4	"
6	6.9	Ductile Iron	11	1	8	0.875 9.5	275	7.0 - 8.0	FedEx
		Stainless Steel		1	"	" "	275	7.5	"
8	9.05	Ductile Iron	13.5	1.12-1.13	8	0.875 11.75	275	10.5 - 11.0	FedEx
		Stainless Steel		1.13	"	" "	275	12	"
10	11.1	Ductile Iron	16	1.19	12	1 14.25	275	15.3 - 16	FedEx
		Stainless Steel		1.19	"	" "	275	15	"
12	13.2	Ductile Iron	19	1.5	12	1 17	275	24.4 - 26	FedEx
		Stainless Steel		1.5	"	" "	275	27	"
14	15.3	Ductile Iron	21	1.63	12	1.125 18.75	200	31 - 36.1	FedEx
		Stainless Steel		1.38	"	" "	160	30	"
16	17.4	Ductile Iron	23.5	1.84-1.88	16	1.125 21.25	200	42 - 48.3	FedEx
		Stainless Steel		1.63	"	" "	160	41	"
18	19.5	Ductile Iron	25	1.75 - 2	16	1.25 22.75	200	47.9 - 51	LTL
		Stainless Steel		1.7	"	" "	160	45	"
20	21.6	Ductile Iron	27.5	2.06-2.23	20	1.25 25	200	60.7 - 61	LTL
		Stainless Steel		1.84	"	" "	160	57	"
24	25.8	Ductile Iron	32	2.13-2.56	20	1.375 29.5	200	90.4 - 94	LTL
		Stainless Steel		2.16	"	" "	160	86	"
30	32	Ductile Iron	38.75	2.88	28	1.375 36	200	142	LTL

1-800-345-ISCO

www.isco-pipe.com