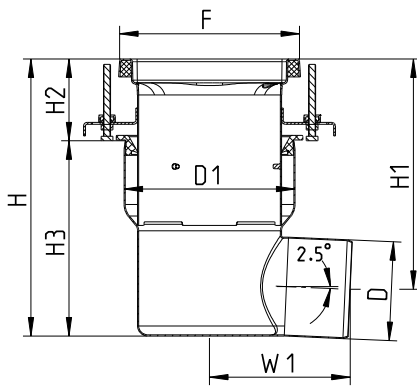


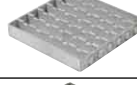
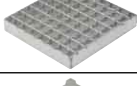



SPECIFICATION: BLÜCHER BFD-230-SO AISI Type 304 stainless steel on-grade adjustable floor drain with 12"x12"(300x300) square top, 1/8"(3) grating (standard), and no hub side outlet.



Side Outlet



Optional Gratings			
Suffix	Description		
	-None	1/8" (Standard)	<input type="checkbox"/>
	-HG	Hygenic-Pro	<input type="checkbox"/>
	-LG	Ladder	<input type="checkbox"/>
	-MG	Mesh	<input type="checkbox"/>
	-SG	Slot	<input type="checkbox"/>

Options			
Suffix	Description		
-316	Type 316 Stainless Steel		<input type="checkbox"/>
-B	Sediment Basket		<input type="checkbox"/>
-P	Stainless Steel P-Trap		<input type="checkbox"/>
-SB	Sand Bucket		<input type="checkbox"/>
-TPT	Trap Primer Tapping		<input type="checkbox"/>
-VP	Grate Secured w/Vandal Proof Screws		<input type="checkbox"/>
-W	Water Trap		<input type="checkbox"/>

Dimensional Chart

Model No.	Pipe Size <i>D</i>	<i>D1</i>	Top Size <i>F</i>	<i>H</i> Adjustable	<i>H1</i> Adjustable	<i>H2</i> Adjustable	<i>H3</i>	<i>W1</i>
BFD-234-SO	4"(110)	11-1/2"(291)	12"x12"(300x300)	12-5/16"(313)- 14/11/16"(373)	10-1/4"(261)- 12-5/8"(321)	3-5/8"(91)- 6"(151)	8-3/4"(222)	8-1/8"(206)
BFD-236-SO	6"(160)	11-1/2"(291)	12"x12"(300x300)	12-5/16"(313)- 14/11/16"(373)	9-5/8"(245)- 13-11/16"(348)	3-5/8"(91)- 6"(151)	8-3/4"(222)	13-7/16"(341)

Job Name _____ Contractor _____

Job Location _____ Approval _____

Engineer _____ Contractor's P.O. No. _____

Approval _____ Representative _____