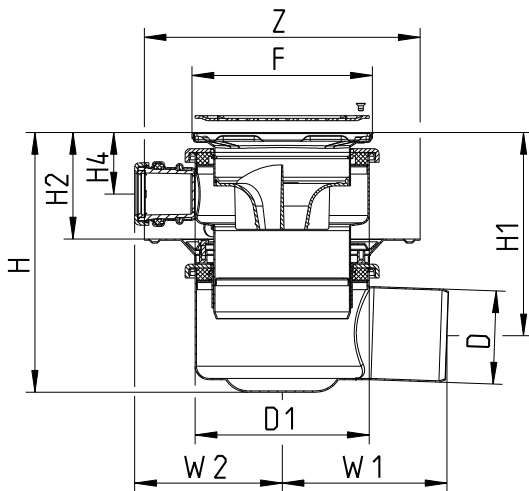




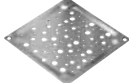


SPECIFICATION: BLÜCHER BSS-200 AISI Type 304 stainless steel adjustable shower drain with 6"x6" (145x145) square top, membrane clamping flange, 1-1/4" (32) or 1-1/2" (38) side inlet connections, Vienna grating (standard), and no hub side outlet.



Optional Gratings			
	Suffix	Description	
	-A	Athens	<input type="checkbox"/>
	-C	Copenhagen	<input type="checkbox"/>
	-D	Detroit	<input type="checkbox"/>
	-N	New York	<input type="checkbox"/>
	-O	Oslo	<input type="checkbox"/>

Dimensional Chart

Model No.	Pipe Size <i>D</i>	<i>D1</i>	Top Size <i>F</i>	<i>Z</i>	<i>H</i> Adjustable	<i>H1</i> Adjustable	<i>H2</i>	<i>H4</i> Adjustable	<i>W1</i>	<i>W2</i>
BSS-202	2" (50)	5-1/2" (140)	6"x6" (145x145)	8-3/4" (222)	7-13/16" (199) - 10-3/8" (264)	6-1/8" (154) - 8-5/8" (219)	3" (76) 5" (126)	1-15/16" (48) - 2-5/16" (58)	5-1/4" (133)	4-11/16" (119)
BSS-203	3" (75)	5-1/2" (140)	6"x6" (145x145)	8-3/4" (222)	7-13/16" (199) - 10-3/8" (264)	6-1/8" (154) - 8-5/8" (219)	3" (76) 5" (126)	1-15/16" (48) - 2-5/16" (58)	5-1/4" (133)	4-11/16" (119)

Job Name _____ Contractor _____

Job Location _____ Approval _____

Engineer _____ Contractor's P.O. No. _____

Approval _____ Representative _____