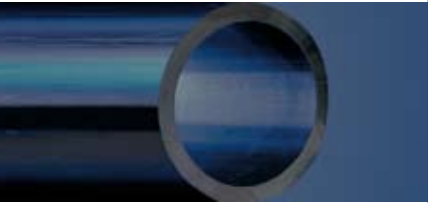
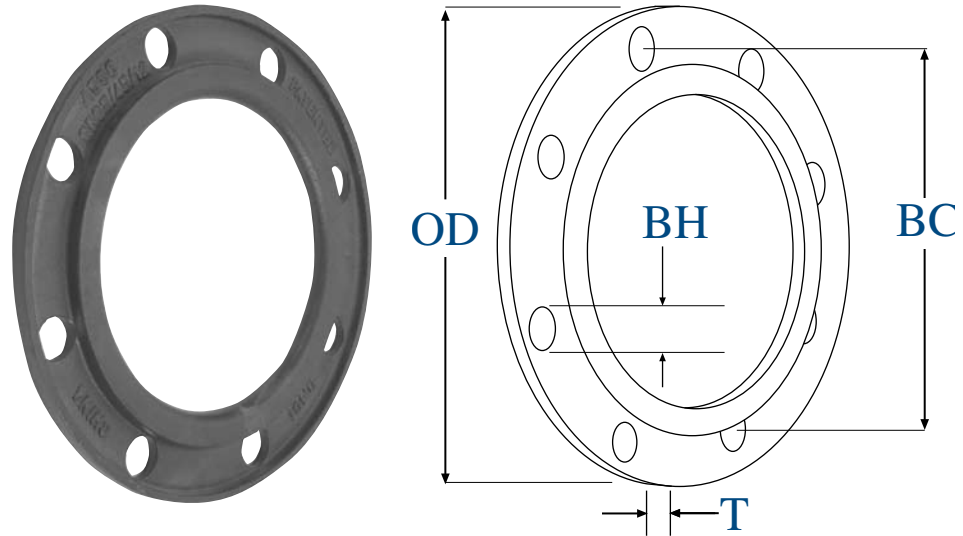


IPS Fittings Back Up Rings (For use with the Flange Adapter)



IPS
HDPE
Fittings



IPS Fittings Back Up Rings (For use with the Flange Adapter)

Nominal Pipe Size(in)	Pipe OD(in)	Material	Dimensions					Pressure Rating	Weight (lbs)	Shipping Method
			OD(in)	T(in)	Bolts(#)	BH(in)	BC(in)			
3/4	1.05	Ductile Iron	3.875	0.5 - 0.53	4	0.625	2.75	267	1	FedEx
1	1.315	Ductile Iron	4.25	0.53 - 0.56	4	0.625	3.125	267	1	FedEx
		Stainless Steel	"	0.56	"	"	"	267	2	"
1 1/4	1.66	Ductile Iron	4.625	0.63	4	0.625	3.5	267	2	FedEx
1 1/2	1.9	Ductile Iron	5	0.69	4	0.625	3.875	267	2	FedEx
		Stainless Steel	"	0.69	"	"	"	267	2	"
2	2.375	Ductile Iron	6	0.5, 0.75	4	0.75	4.75	160, 267	1.5, 3	FedEx
		PP Coated DI	6.5	0.71	"	"	"	128, 275	1.8	"
		Stainless Steel	6	0.4, 0.75	"	"	"	160, 267	2, 2.6	"
3	3.5	Ductile Iron	7.5	0.53, 0.94	4	0.75	6	160, 267	2.5, 4.5	FedEx
		PP Coated DI	7.8	0.71, 0.73	"	"	"	128, 275	2.4	"
		Stainless Steel	7.5	0.4, 0.94	"	"	"	128, 267	3, 5"	"
4	4.5	Ductile Iron	9	0.55, 0.94	8	0.75	7.5	160, 267	3.5, 5.5	FedEx
		PP Coated DI	9.21	0.71, 0.98	"	"	"	128, 275	2.5, 4.2	"
		Stainless Steel	9	0.5 - 0.94	"	"	"	128, 267	5, 6"	"
6	6.625	Ductile Iron	11	0.63, 1	8	0.875	9.5	160, 267	4.5, 7.5	FedEx
		PP Coated DI	11.57	0.79, 1.18	"	"	"	128, 275	4.0, 7.1	"
		Stainless Steel	11	0.6, 1	"	"	"	128, 267	6, 9"	"
8	8.625	Ductile Iron	13.5	0.85, 1.125	8	0.875	11.75	160, 267	8, 12	FedEx
		PP Coated DI	13.86	1.1, 1.34	"	"	"	128, 275	7.5, 11.6	"
		Stainless Steel	13.5	0.7 - 1.13	"	"	"	128, 267	9, 13	"
10	10.75	Ductile Iron	16	0.98, 1.19	12	1	14.25	160, 267	12, 16	FedEx
		PP Coated DI	16.61	1.22, 1.52	"	"	"	128, 275	10.5, 16	"
		Stainless Steel	16	0.9, 1.19	"	"	"	128, 267	12, 18	"
12	12.75	Ductile Iron	19	1.25 - 1.5	12	1	17	160 - 267	20, 25	FedEx
		PP Coated DI	19.37	1.61, 2.01	"	"	"	128, 275	17.5, 28.2	"
		Stainless Steel	19	1.05 - 1.77	"	"	"	128 - 267	21 - 37	"

1-800-345-ISCO

www.isco-pipe.com



IPS Fittings Back Up Rings (For use with the Flange Adapter) (continued)

IPS Fittings Back Up Rings (For use with the Flange Adapter) (continued)

Nominal Pipe Size (in)	Pipe OD (in)	Material	Dimensions					Pressure Rating	Weight (lbs)	Shipping Method
			OD (in)	T (in)	Bolts (#)	BH (in)	BC (in)			
14	14.00	Ductile Iron	21	1.38, 1.63	12	1.125	18.75	160, 267	29, 37	FedEx
		PP Coated DI	21.26	1.61, 2.05	"	"	"	128, 275	23, 35.7	"
		Stainless Steel	21	1.13 - 1.78	"	"	"	100 - 267	25 - 50	"
16	16.00	Ductile Iron	23.5	1.63 - 1.88	16	1.125	21.25	160, 267	39 - 49	FedEx
		PP Coated DI	23.82	1.75, 2.44	"	"	"	128, 275	30, 66.4	"
		Stainless Steel	23.5	1.25 - 2.17	"	"	"	80 - 267	31 - 67	"
18	18.00	Ductile Iron	25	1.67 - 2	16	1.25	22.75	160 - 267	42 - 53	LTL
		PP Coated DI	25.51	1.91, 2.44	"	"	"	128, 275	34, 60.6	"
		Stainless Steel	25	1.34 - 2.06	"	"	"	80 - 267	33 - 67	"
20	20.00	Ductile Iron	27.5	1.81 - 2.23	20	1.25	25	160 - 200	55 - 70	LTL
		PP Coated DI	27.87	2.13, 2.68	"	"	"	128, 275	42, 93.5	"
		Stainless Steel	27.5	1.47 - 2.27	"	"	"	80 - 267	39 - 90	"
22	22.00	Ductile Iron	29.5	2 - 2.41	20	1.375	27.25	160 - 200	65 - 80	LTL
		PP Coated DI	"	3.19	"	"	"	275	104.9	"
		Stainless Steel	"	1.54 - 2.43	"	"	"	80 - 267	50 - 106	"
24	24.00	Ductile Iron	32	2.13 - 2.56	20	1.375	29.5	160 - 200	80 - 103	LTL
		PP Coated DI	32.52	2.24, 3.19	"	"	"	128, 275	58.5, 142.2	"
		Stainless Steel	32	1.6 - 2.6	"	"	"	64 - 267	65 - 116	"
26	26.00	Ductile Iron	34.25	2 - 2.53	24	1.375	31.75	100 - 200	83 - 109	LTL
		Stainless Steel	"	2.2, 2.5	"	"	"	80, 160	96, 119	"
28	28.00	Ductile Iron	36.5	2.06 - 2.6	28	1.375	34	100 - 200	92 - 130	LTL
		PP Coated DI	36.95	2.99, 3.9	"	"	"	128, 275	105, 224.4	"
		Stainless Steel	36.5	2.3 - 2.68	"	"	"	80 - 160	109 - 134	"
30	30.00	Ductile Iron	38.75	2.06 - 2.68	28	1.375	36	65 - 200	104 - 153	LTL
		PP Coated DI	39.45	3.13, 3.9	"	"	"	128, 275	119, 247.1	"
		Stainless Steel	38.75	2.18 - 3.8	"	"	"	64 - 267	121 - 302	"
32	32.00	Ductile Iron	41.75	2.06 - 2.84	28	1.625	38.5	65 - 200	111 - 175	LTL
		Stainless Steel	"	2.36 - 2.85	"	"	"	64 - 128	145 - 199	"
34	34.00	Ductile Iron	43.75	2.14 - 2.88	32	1.625	40.5	60 - 100	137 - 191	LTL
		Stainless Steel	"	2.68 - 3.3	"	"	"	64 - 128	168 - 228	"
36	36.00	Ductile Iron	46	2.06 - 3.14	32	1.625	42.75	50 - 160	129 - 225	LTL
		PP Coated DI	46.65	3.86	"	"	"	128	197	"
		Stainless Steel	46	2.35 - 3	"	"	"	50 - 100	167 - 230	"
40	39.37	Ductile Iron	50.75	3.5	36	1.625	47.25	128	307	LTL
		Stainless Steel	"	3.45	"	"	"	80	341	"
42	42.00	Ductile Iron	53	2.26 - 3.53	36	1.625	49.5	40 - 128	253 - 396	LTL
		Stainless Steel	"	2.48 - 3.25	"	"	"	40 - 80	223 - 330	"
48	48.00	Ductile Iron	59.5	3.5 - 3.82	44	1.625	56	64 - 100	332 - 400	LTL
		Stainless Steel	"	2.45 - 3.63	"	"	"	30 - 64	291 - 405	"
54	54.00	Ductile Iron	66.25	2.57 - 4.1	44	1.875	62.75	30 - 80	318 - 519	LTL
		Stainless Steel	"	2.8 - 4.03	"	"	"	30 - 64	365 - 513	"
63	62.99	Ductile Iron	73	2.8, 3.15	52	1.875	69.25	32, 64	277, 437	LTL
		Stainless Steel	"	3.23, 3.54	"	"	"	32, 51	455, 495	"

IPS
HDPE
Fittings

1-800-345-ISCO

www.isco-pipe.com