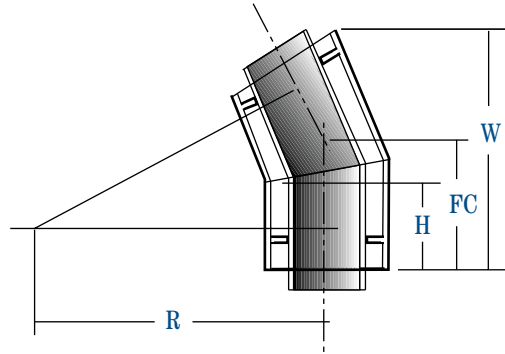
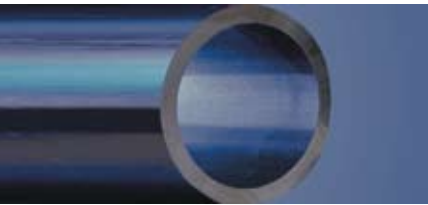


Dual Containment 22.5° Ell

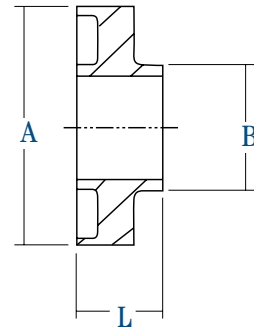
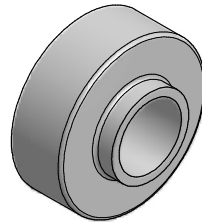


Dual Containment 22.5 Elbow								
Nominal Size	Carrier DR	Containment DR	Dimensions			Weight	Shipping Method	
			R (in.)	H (in.)	FC (in.)	W (in.)	(lbs)	
1"x3"	11	11	13.625	4	4.375	9.03	1	FedEx
1"x4"	11	11,17	14.25	5	5.5	11.34	2	FedEx
1.5"x4"	11	11,17	14.25	5	5.5	11.34	2	FedEx
2"x4"	11	11,17	14.25	5	5.5	11.34	3	FedEx
2"x6"	11	11,17	15.25	6	6.625	14.08	5	FedEx
3"x6"	11	11,17	15.25	6	6.625	14.08	6	FedEx
4"x8"	11,17	11,17,26	16.15	6.5	7.375	15.81	10	FedEx
6"x10"	11,17	11,17,26	17.25	6.5	7.625	16.62	17	FedEx
8"x12"	11,17,26	11,17,26,32.5	19.5	8	9.25	20.27	35	FedEx



HDPE Dual Containment Piping

Dual Containment End Termination



Dual Containment End Termination							
Nominal Size	Carrier DR	Containment DR	Dimensions			Weight	Shipping Method
			L (in.)	A (in.)	B (in.)	(lbs)	
1"x3"	11	11	3	3.5	1.315	1	FedEx
1"x4"	11	11,17	3	4.5	1.315	1	FedEx
1.5"x4"	11	11,17	3	4.5	1.9	1	FedEx
2"x4"	11	11,17	3	4.5	2.375	1	FedEx
2"x6"	11	11,17	3	6.625	2.375	2	FedEx
3"x6"	11	11,17	3	6.625	3.5	2	FedEx
4"x8"	11,17	11,17,26	4	8.625	4.5	3	FedEx
6"x10"	11,17	11,17,26	4	10.75	6.625	5	FedEx
8"x12"	11,17,26	11,17,26,32.5	4	12.75	8.62	8	FedEx

1-800-345-ISCO

www.isco-pipe.com

