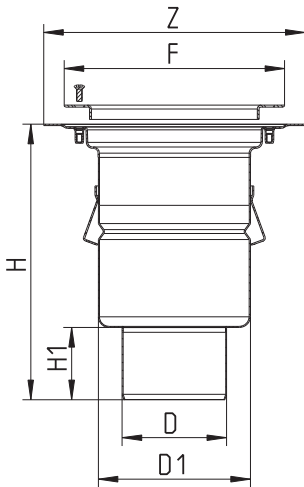


SPECIFICATION: BLÜCHER BFD-510 AISI Type 304 stainless steel floor drain with 8" (200) round top with surface membrane clamp, 1/8" (3) grating (standard), and no hub bottom outlet.



Bottom Outlet



Optional Gratings			
	Suffix	Description	
	-None	1/8" (Standard)	<input type="checkbox"/>
	-LG	Ladder Grating	<input type="checkbox"/>
	-MG	Mesh Grating	<input type="checkbox"/>
	-SG	Slot Grating	<input type="checkbox"/>

Options		
Suffix	Description	
-316	Type 316 Stainless Steel	<input type="checkbox"/>
-B	Sediment Basket	<input type="checkbox"/>
-P	Stainless Steel P-Trap	<input type="checkbox"/>
-SB	Sand Bucket	<input type="checkbox"/>
-TPT	Trap Primer Tapping	<input type="checkbox"/>
-VP	Grate Secured w/Vandal Proof Screws	<input type="checkbox"/>
-W	Water Trap	<input type="checkbox"/>

Dimensional Chart

Model No.	Pipe Size D	D1	Top Size F	Z	H	H1
BFD-513	3"(75)	6"(160)	9-1/8"(232)	10-13/16"(275)	11"(279)	2-9/16"(65)
BFD-514	4"(110)	6"(160)	9-1/8"(232)	10-13/16"(275)	11-7/16"(290)	3"(76)

Job Name _____ Contractor _____

Job Location _____ Approval _____

Engineer _____ Contractor's P.O. No. _____

Approval _____ Representative _____



A Watts Water Technologies Company



USA: 100 Watts Road, Spindale, NC, 28160-2298; www.blucherdrains.com
Canada: 5435 North Service Rd., Burlington, ONT. L7L 5H7; www.blucherdrains.ca