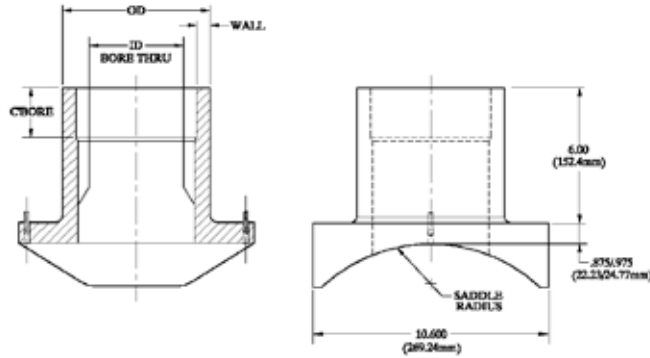


Branch Saddle: 8" IPS Butt Outlet



Nominal Outlet Size	O.D.	I.D.	Wall	C'Bore
8" IPS DR 17	8.625±0.025	5.570±0.030	0.785±0.157	2.88±0.06



Outlet Size	Part #	Fusion Time Setting	Pin	Clamp Style See Page 207	Weight
8x8 IPS	5758390*	M	4.7mm	K	6.505
10x8 IPS	5758393*	M	4.7mm	K	9.500
12x8 IPS	5758394*	M	4.7mm	K	9.070
14x8 IPS	5758395*	M	4.7mm	K	10.130
16x8 IPS	5758396*	M	4.7mm	K	8.000
18x8 IPS	5758397*	M	4.7mm	K	8.740
20x8 IPS	5758398*	M	4.7mm	K	9.640
24x8 IPS	5758399*	M	4.7mm	K	9.000
24 DIPS x 8 IPS	5758440*	M	4.7mm	K	9.000
26x8 IPS	5758487*	M	4.7mm	K	7.980
30x8 IPS	5758400*	M	4.7mm	K	9.151
32x8 IPS	5758401*	M	4.7mm	K	8.728
34x8 IPS	5758402*	M	4.7mm	K	8.690
36x8 IPS	5758403*	M	4.7mm	K	8.918
42x8 IPS	5758404*	M	4.7mm	K	8.368
48x8 IPS	5758405*	M	4.7mm	K	8.710

A=Automatic Identification for Fusion Time. M=Manual Setting or Bar Code Setting.
* Special Lead Requirements.



Central
Electrofusion
Products

1-800-345-ISCO

www.isco-pipe.com