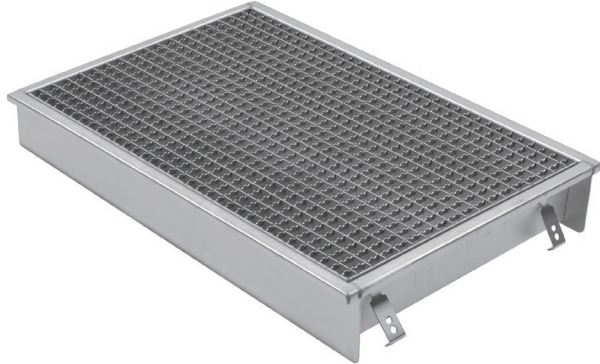


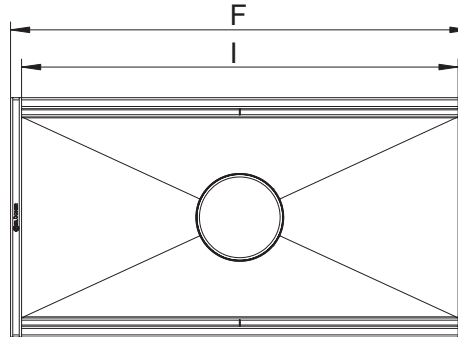
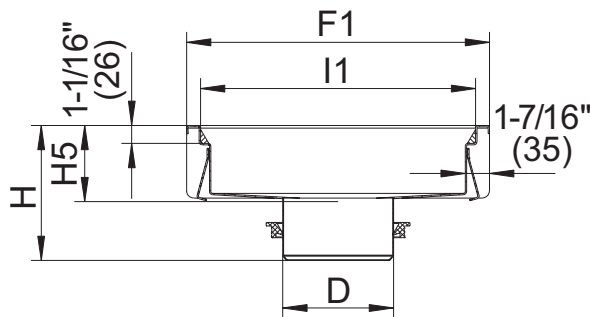
Tag: _____

SPECIFICATION: BLÜCHER BKC-400 AISI Type 304 stainless steel 20"x40"(500x1000) x (specify) deep kitchen channel with 1"(25) thick mesh grating, and no hub bottom outlet.



Optional Grating:		
Suffix	Description	
-LG	Heavy Duty Ladder Grating	<input type="checkbox"/>

Options		
Suffix	Description	
-316	Type 316 Stainless Steel	<input type="checkbox"/>
-B	Sediment Basket	<input type="checkbox"/>
-E	Edge Infill	<input type="checkbox"/>
-FC	Flashing Flange & Clamp	<input type="checkbox"/>
-LD	Grate Locking Device	<input type="checkbox"/>
-P	Stainless Steel P-Trap	<input type="checkbox"/>
-SB	Sand Bucket (6" (160) Outlet Only)	<input type="checkbox"/>
-W	Water Trap	<input type="checkbox"/>



Dimensional Chart

Model No.	Pipe Size <i>D</i>	<i>F</i>	<i>F1</i>	<i>H</i>	Depth <i>H5</i>	<i>I</i>	<i>I1</i>
BKC-404-6	4"(110)	40-13/16"(1037)	21-1/8"(537)	10"(253)	5-7/8"(150)	39-1/4"(997)	19-9/16"(497)
BKC-406-2	6"(160)	40-13/16"(1037)	21-1/8"(537)	5-11/16"(145)	2-3/8"(60)	39-1/4"(997)	19-9/16"(497)
BKC-406-4	6"(160)	40-13/16"(1037)	21-1/8"(537)	7-11/16"(195)	4-5/16"(110)	39-1/4"(997)	19-9/16"(497)
BKC-406-6	6"(160)	40-13/16"(1037)	21-1/8"(537)	9-1/4"(235)	5-7/8"(150)	39-1/4"(997)	19-9/16"(497)

Job Name _____ Contractor _____

Job Location _____ Approval _____

Engineer _____ Contractor's P.O. No. _____

Approval _____ Representative _____