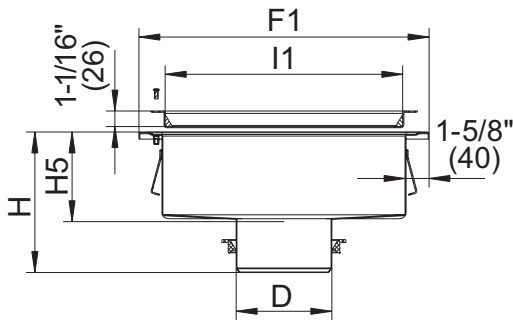


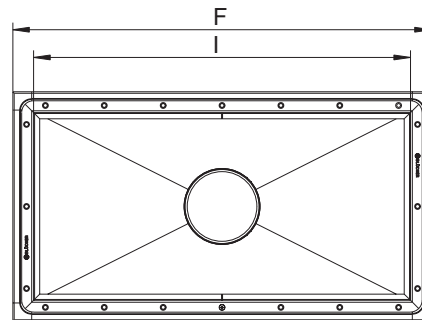
Tag: \_\_\_\_\_

**SPECIFICATION:** BLÜCHER BKC-500 AISI Type 304 stainless steel (specify length x width x depth) kitchen channel with surface membrane clamp for vinyl flooring, 1"(25) thick mesh grating, and no hub bottom outlet.



Optional Grating:		
Suffix	Description	
-LG	Heavy Duty Ladder Grating	<input type="checkbox"/>

Options		
Suffix	Description	
-316	Type 316 Stainless Steel	<input type="checkbox"/>
-B	Sediment Basket	<input type="checkbox"/>
-E	Edge Infill	<input type="checkbox"/>
-FC	Flashing Flange & Clamp	<input type="checkbox"/>
-LD	Grate Locking Device	<input type="checkbox"/>
-P	Stainless Steel P-Trap	<input type="checkbox"/>
-SB	Sand Bucket (6"(160) Outlet Only)	<input type="checkbox"/>
-W	Water Trap	<input type="checkbox"/>



#### Dimensional Chart

Model No.	Pipe Size D	F	F1	H	Depth H5	I	I1
BKC-504-16x16	4"(110)	17-3/16"(437)	17-3/16"(437)	10"(253)	5-7/8"(150)	15-5/8"(397)	15-5/8"(397)
BKC-506-16x16	6"(160)	17-3/16"(437)	17-3/16"(437)	10"(253)	5-7/8"(150)	15-5/8"(397)	15-5/8"(397)
BKC-504-16x32	4"(110)	33"(837)	17-3/16"(437)	10"(253)	5-7/8"(150)	31-3/8"(797)	15-5/8"(397)
BKC-506-16x32	6"(160)	33"(837)	17-3/16"(437)	10"(253)	5-7/8"(150)	31-3/8"(797)	15-5/8"(397)
BKC-504-20x20	4"(110)	21-1/8"(537)	21-1/8"(537)	10"(253)	5-7/8"(150)	19-9/16"(497)	19-9/16"(497)
BKC-506-20x20	6"(160)	21-1/8"(537)	21-1/8"(537)	10"(253)	5-7/8"(150)	19-9/16"(497)	19-9/16"(497)
BKC-504-20x40	4"(110)	40-13/16"(1037)	21-1/8"(537)	10"(253)	5-7/8"(150)	39-1/4"(997)	19-9/16"(497)
BKC-506-20x40	6"(160)	40-13/16"(1037)	21-1/8"(537)	10"(253)	5-7/8"(150)	39-1/4"(997)	19-9/16"(497)

Job Name \_\_\_\_\_ Contractor \_\_\_\_\_  
 Job Location \_\_\_\_\_ Approval \_\_\_\_\_  
 Engineer \_\_\_\_\_ Contractor's P.O. No. \_\_\_\_\_  
 Approval \_\_\_\_\_ Representative \_\_\_\_\_