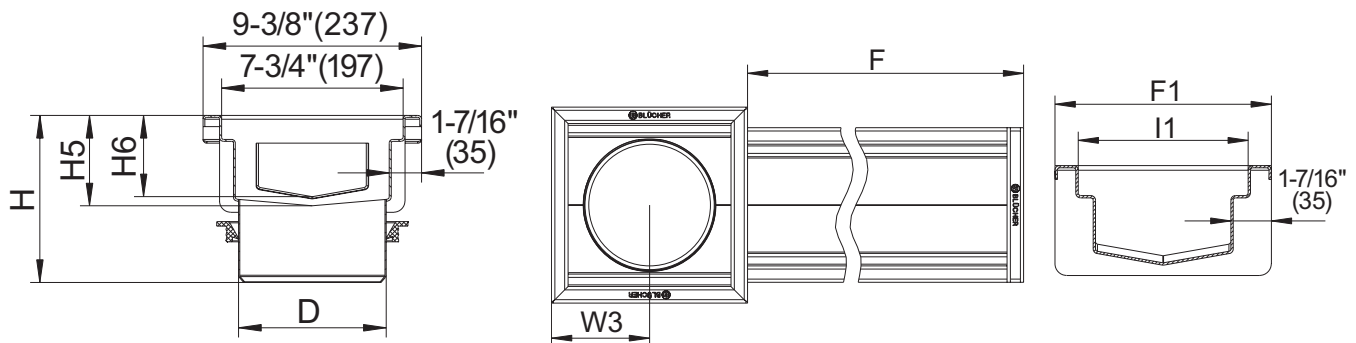


SPECIFICATION: BLÜCHER Series BT6-0 AISI Type 304 stainless steel pre-sloped trench drain, 6" (160) wide x (specify) long, with 1% longitudinal slope and 160 degree cross fall, 1" (25) thick mesh grating, and 8"x8" (200x200) outlet box with no hub outlet.



Optional Grating:		
Suffix	Description	
-HG	Hygenic-Pro Grating	<input type="checkbox"/>
-LG	Ladder Grating	<input type="checkbox"/>
-SG	Slot Grating	<input type="checkbox"/>
-XLG	Extra Heavy Duty Ladder Grating	<input type="checkbox"/>

Options		
Suffix	Description	
-316	Type 316 Stainless Steel	<input type="checkbox"/>
-B	Sediment Basket	<input type="checkbox"/>
-E	Edge Infill	<input type="checkbox"/>
-FC	Flashing Flange & Clamp	<input type="checkbox"/>
-LD	Gate Locking Device	<input type="checkbox"/>
-P	Stainless Steel P-Trap	<input type="checkbox"/>
-SB	Sand Bucket (6" (160) Outlet Only)	<input type="checkbox"/>



Dimensional Chart

Model No.	Pipe Size D	Length F	F1	H	H5	H6	I1	W3
Series BT6-0	Specify	Specify	7-3/8" (187)	7-1/8" (181)	3-7/8" (98)	3-9/16" (90)	5-13/16" (147)	4-11/16" (119)

Job Name _____ Contractor _____

Job Location _____ Approval _____

Engineer _____ Contractor's P.O. No. _____

Approval _____ Representative _____