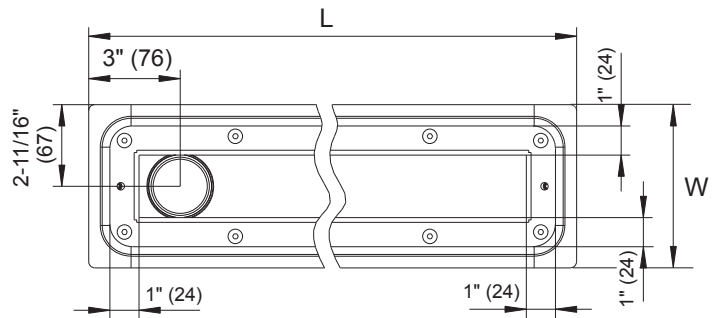
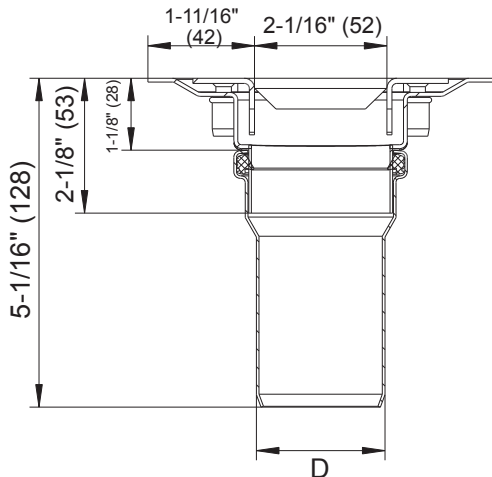


Tag: _____

SPECIFICATION: BLÜCHER BWS-200 AISI Type 304 stainless steel 5-3/8" (135) wide x (specify) long WaterLine shower channel with surface membrane clamp for vinyl flooring, Copenhagen Vinyl Grating, and no hub bottom outlet.



Grating	
Description	
	Copenhagen <input type="checkbox"/>



Dimensional Chart

Model	Pipe Size <i>D</i>	Top Size <i>W x L</i>
BWS-228	2" (50)	5-3/8" x 27-1/2" (135x700)
BWS-232	2" (50)	5-3/8" x 31-1/2" (135x800)
BWS-236	2" (50)	5-3/8" x 35-1/2" (135x900)
BWS-240	2" (50)	5-3/8" x 39-1/2" (135x1000)

Job Name _____ Contractor _____

Job Location _____ Approval _____

Engineer _____ Contractor's P.O. No. _____

Approval _____ Representative _____

