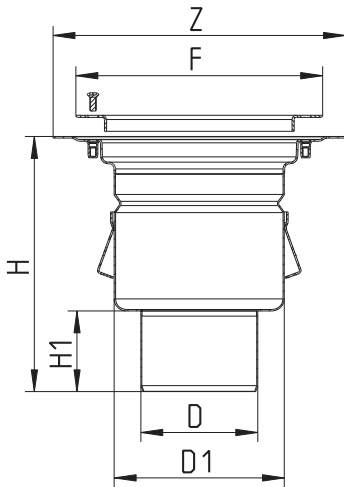


SPECIFICATION: BLÜCHER BFD-520 AISI Type 304 stainless steel floor drain with 8" (200) round top with surface membrane clamp, 1/8" (3) grating (standard), and no hub bottom outlet.



Bottom Outlet



Optional Gratings			
	Suffix	Description	
	-None	1/8" (Standard)	<input type="checkbox"/>
	-LG	Ladder Grating	<input type="checkbox"/>
	-MG	Mesh Grating	<input type="checkbox"/>
	-SG	Slot Grating	<input type="checkbox"/>

Options		
Suffix	Description	
-316	Type 316 Stainless Steel	<input type="checkbox"/>
-B	Sediment Basket	<input type="checkbox"/>
-P	Stainless Steel P-Trap	<input type="checkbox"/>
-SB	Sand Bucket	<input type="checkbox"/>
-TPT	Trap Primer Tapping	<input type="checkbox"/>
-VP	Grate Secured w/Vandal Proof Screws	<input type="checkbox"/>
-W	Water Trap	<input type="checkbox"/>

Dimensional Chart

Model No.	Pipe Size D	D1	Top Size F	Z	H	H1
BFD-523	3"(75)	6"(160)	7-5/8"(195)	10-13/16"(275)	9"(229)	2-9/16"(65)
BFD-524	4"(110)	6"(160)	7-5/8"(195)	10-13/16"(275)	9-7/16"(240)	3"(76)

Job Name _____ Contractor _____
 Job Location _____ Approval _____
 Engineer _____ Contractor's P.O. No. _____
 Approval _____ Representative _____

