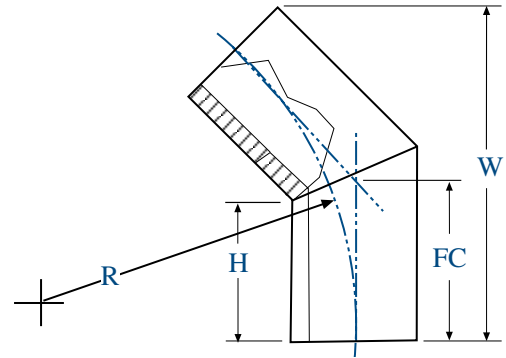


IPS Fittings Fabricated 45° Ell - Two Segment



IPS HDPE Fittings

Pressure Rating is based on miter angle, pipe DR (Wall thickness), and resin properties.

Ratings based on 3608 resin/22.5 angle:	
DR	Pressure Rating
7	183 psi
9	131 psi
11	100 psi
13.5	77 psi
15.5	64 psi
17	57 psi
21	43 psi
26	33 psi
32.5	25 psi

Ratings based on 4710 resin/22.5 angle:	
DR	Pressure Rating
7	229 psi
9	164 psi
11	126 psi
13.5	96 psi
15.5	81 psi
17	71 psi
21	54 psi
26	41 psi
32.5	31 psi

Note: Size/DR listings shown are commonly requested. Many DR options not listed are available. Please consult an ISCO representative for availability.

Nominal Size (in)	Pipe OD (in)	DR	Part #	Dimensions				Weight (lbs)	Shipping Method
				R (in)	H (in)	FC (in)	W (in)		
2	2.375	07	ISFF450207IPS2P	6.62	4.50	5	9.36	1	FedEx
		09	ISFF450209IPS2P	"	"	"	"	1	"
		11	ISFF450211IPS2P	"	"	"	"	1	"
3	3.5	07	ISFF450307IPS2P	7.18	4.50	5.25	10.16	2	FedEx
		09	ISFF450309IPS2P	"	"	"	"	1	"
		11	ISFF450311IPS2P	"	"	"	"	1	"
		17	ISFF450317IPS2P	"	"	"	"	1	"
4	4.5	07	ISFF450407IPS2P	7.68	4.50	5.43	10.86	3	FedEx
		09	ISFF450409IPS2P	"	"	"	"	2	"
		11	ISFF450411IPS2P	"	"	"	"	2	"
		17	ISFF450417IPS2P	"	"	"	"	1	"
6	6.625	07	ISFF450607IPS2P	9.95	5.50	6.88	14.07	8	FedEx
		09	ISFF450609IPS2P	"	"	"	"	7	"
		11	ISFF450611IPS2P	"	"	"	"	6	"
		17	ISFF450617IPS2P	"	"	"	"	4	"
		32.5	ISFF450632IPS2P	"	"	"	"	2	"
8	8.625	07	ISFF450807IPS2P	12.16	6.50	8.25	17.19	17	FedEx
		09	ISFF450809IPS2P	"	"	"	"	14	"
		11	ISFF450811IPS2P	"	"	"	"	12	"
		17	ISFF450817IPS2P	"	"	"	"	10	"
		32.5	ISFF450832IPS2P	"	"	"	"	4	"
10	10.75	07	ISFF451007IPS2P	12.63	6.50	8.73	18.70	26	LTL
		09	ISFF451009IPS2P	"	"	"	"	22	"
		11	ISFF451011IPS2P	"	"	"	"	18	"
		17	ISFF451017IPS2P	"	"	"	"	12	"
		32.5	ISFF451032IPS2P	"	"	"	"	6	"
12	12.75	07	ISFF451207IPS2P	13.63	8.50	11.14	23.53	45	LTL
		09	ISFF451209IPS2P	"	"	"	"	38	"
		11	ISFF451211IPS2P	"	"	"	"	32	"
		17	ISFF451217IPS2P	"	"	"	"	21	"
		32.5	ISFF451232IPS2P	"	"	"	"	11	"
14	14	07	ISFF451407IPS2P	14.25	8.50	11.4	24.41	58	LTL
		09	ISFF451409IPS2P	"	"	"	"	48	"
		11	ISFF451411IPS2P	"	"	"	"	40	"
		17	ISFF451417IPS2P	"	"	"	"	27	"
		32.5	ISFF451432IPS2P	"	"	"	"	15	"
16	16	07	ISFF451607IPS2P	15.25	8.50	11.81	25.82	79	LTL
		09	ISFF451609IPS2P	"	"	"	"	66	"
		11	ISFF451611IPS2P	"	"	"	"	55	"
		17	ISFF451617IPS2P	"	"	"	"	37	"
		32.5	ISFF451632IPS2P	"	"	"	"	20	"

1-800-345-ISCO

www.isco-pipe.com



IPS Fittings Fabricated 45° Ell - Two Segment (continued)

IPS Fittings - Fabricated 45° Ell - Two Segment										
Nominal Size (in)	Pipe OD (in)	DR	Part #	Dimensions			Weight (lbs)	Shipping Method		
				R (in)	H (in)	FC (in)			W (in)	
18	18	09	ISFF451809IPS2P	16.25	8.50	12.23	27.24	83	LTL	
		11	ISFF451811IPS2P	"	"	"	"	70	"	
		17	ISFF451817IPS2P	"	"	"	"	47	"	
		32.5	ISFF451832IPS2P	"	"	"	"	25	"	
20	20	09	ISFF452009IPS2P	17.25	8.50	12.64	28.65	108	LTL	
		11	ISFF452011IPS2P	"	"	"	"	90	"	
		17	ISFF452017IPS2P	"	"	"	"	60	"	
		32.5	ISFF452032IPS2P	"	"	"	"	32	"	
22	22	17	ISFF452217IPS2P	23.1	8.50	13.05	30.00	76	LTL	
		32.5	ISFF452232IPS2P	"	"	"	"	41	"	
24	24	09	ISFF452409IPS2P	24.1	8.50	13.5	31.50	168	LTL	
		11	ISFF452411IPS2P	"	"	"	"	141	"	
		17	ISFF452417IPS2P	"	"	"	"	94	"	
		32.5	ISFF452432IPS2P	"	"	"	"	51	"	
26	26	17	ISFF452617IPS2P	26.5	10	15.4	35.44	141	LTL	
		32.5	ISFF452632IPS2P	"	"	"	"	90	"	
28	28	11	ISFF452811IPS2P	28.5	10	15.8	36.875	623	LTL	
		17	ISFF452817IPS2P	"	"	"	"	158	"	
		32.5	ISFF452832IPS2P	"	"	"	"	86	"	
30	30	11	ISFF453011IPS2P	30.5	10	16.2	38.31	279	LTL	
		17	ISFF453017IPS2P	"	"	"	"	187	"	
		32.5	ISFF453032IPS2P	"	"	"	"	74	"	
32	32	11	ISFF453211IPS2P	38	10	16.6	39.69	325	LTL	
		17	ISFF453217IPS2P	"	"	"	"	218	"	
		32.5	ISFF453232IPS2P	"	"	"	"	118	"	
36	36	11	ISFF453611IPS2P	43	10	17.5	42.5	432	LTL	
		17	ISFF453617IPS2P	"	"	"	"	290	"	
		26	ISFF453626IPS2P	"	"	"	"	193	"	
		32.5	ISFF453632IPS2P	"	"	"	"	156	"	
42	42	17	ISFF454217IPS2P	50	16	24.7	57	557	LTL	
		21	ISFF454221IPS2P	"	"	"	"	456	"	
		26	ISFF454226IPS2P	"	"	"	"	372	"	
		32.5	ISFF454232IPS2P	"	"	"	"	300	"	
48	48	21	ISFF454821IPS2P	58	16	25.9	61.25	625	LTL	
		26	ISFF454826IPS2P	"	"	"	"	510	"	
		32.5	ISFF454832IPS2P	"	"	"	"	411	"	
54	54	26	ISFF455426IPS2P	64	16	27.2	65.5	678	LTL	
		32.5	ISFF455432IPS2P	"	"	"	"	547	"	
63	63	26	ISFF456326IPS2P	57.45	18	31.06	75.25	1050	LTL	
		32.5	ISFF456332IPS2P	"	"	"	"	847	"	



IPS HDPE Fittings

Pressure Rating is based on miter angle, pipe DR (Wall thickness), and resin properties.

Ratings based on 3608 resin/22.5 angle:	
DR	Pressure Rating
7	183 psi
9	131 psi
11	100 psi
13.5	77 psi
15.5	64 psi
17	57 psi
21	43 psi
26	33 psi
32.5	25 psi

Ratings based on 4710 resin/22.5 angle:	
DR	Pressure Rating
7	229 psi
9	164 psi
11	126 psi
13.5	96 psi
15.5	81 psi
17	71 psi
21	54 psi
26	41 psi
32.5	31 psi

Note: Size/DR listings shown are commonly requested. Many DR options not listed are available. Please consult an ISCO representative for availability.

1-800-345-ISCO

www.isco-pipe.com

