

## MODEL A490TCF STROBE POWER SUPPLY

FAA/PMA APPROVED

Model Number . . . . . A490TCF

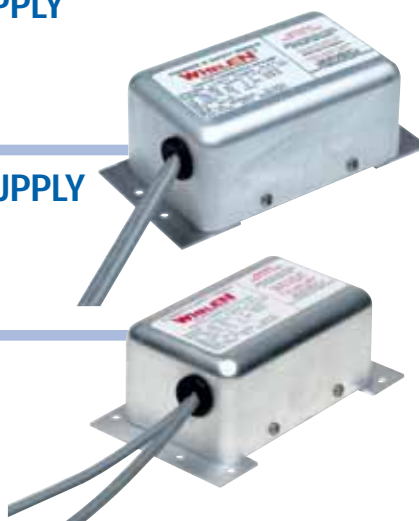
Part Number . . . . . 01-0770006-08

## MODEL A490TCCF STROBE POWER SUPPLY

FAA/PMA APPROVED

Model Number . . . . . A490TCCF

Part Number . . . . . 01-0770006-09



### Specifications (Both Models)

Current Draw . . . . . 1.7 Amps @ 14 Volts D.C.  
 . . . . . 0.85 Amps @ 28 Volts D.C.

Weight . . . . . 1.2 lbs.

Length . . . . . 5.00"

Width . . . . . 3.12"

Height . . . . . 2.38"

### Operation

**MODEL A490TCF:** This model operates one strobe lighthouse. It is our most compact unit and can be mounted in the wingtip and/or the tail adjacent to the lighthouse. It produces an accumulated 19 joules of power. It will only meet 400 ECP when used with the A470A-W. This unit can not be synchronized. This power supply operates from 10 to 30 volts DC. (Not approved for use with red strobe light).



WHITE (+14/28 VDC)  
 BLACK (GROUND)  
 RED (ANODE) POSITION 1  
 BLACK (CATHODE) POSITION 2  
 WHITE (TRIGGER) POSITION 3

### Operation

**MODEL A490TCCF SERIES:** This model is the same as the A490TCF but has a mounting plate with additional holes that directly replaces factory installed systems on single engine Cessna's, Aero Commanders and Grumman Americans.



WHITE (+14/28 VDC)  
 BLACK (GROUND)  
 RED (ANODE) POSITION 1  
 BLACK (CATHODE) POSITION 2  
 WHITE (TRIGGER) POSITION 3

### Dimensions

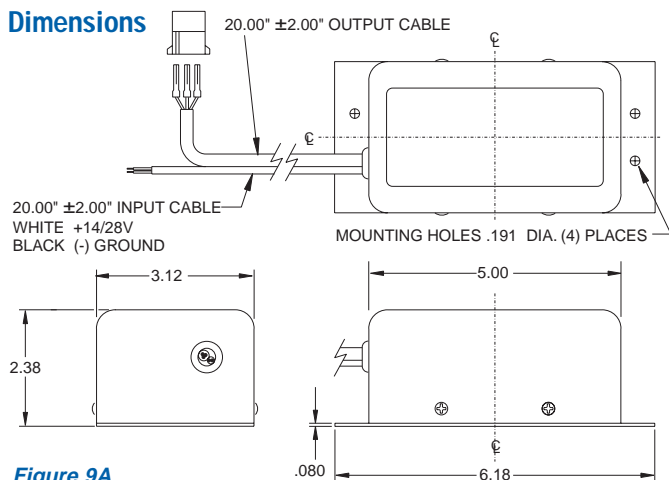


Figure 9A

### Mounting

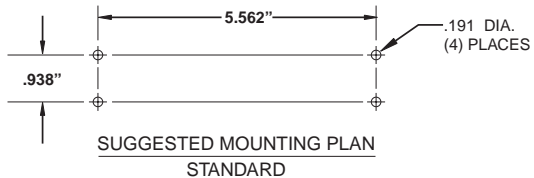


Figure 9B

### Dimensions

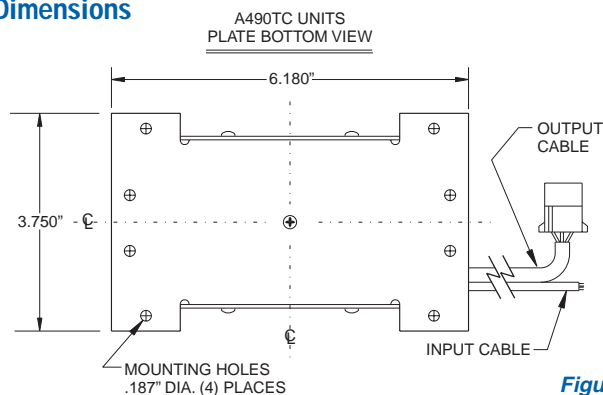


Figure 9C

### Mounting

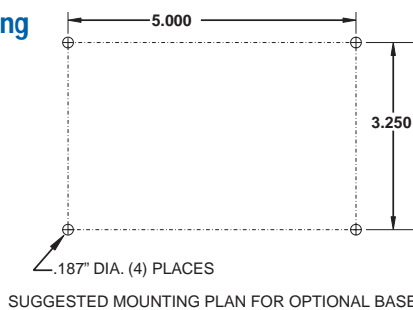


Figure 9D