

# BLÜCHER®

BCO-210

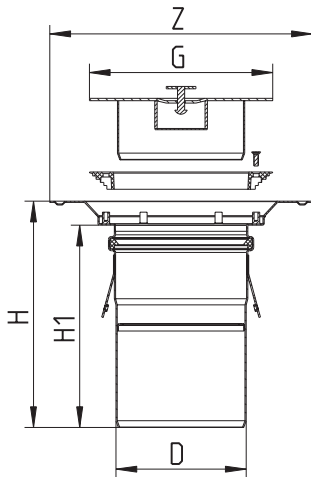
Tag: \_\_\_\_\_

Floor Cleanout w/Surface  
Membrane Clamp, Pull Nipple

**SPECIFICATION:** BLÜCHER BCO-210 AISI Type 304 stainless steel floor cleanout w/gasket seal round top w/surface membrane clamp, pull nipple for cover removal, and no hub pipe connection.



Options		
Suffix	Description	
-316	Type 316 Stainless Steel	<input type="checkbox"/>



### Dimensional Chart

Model No.	Pipe Size <i>D</i>	Top Size <i>Z</i>	<i>G</i>	<i>H</i>	<i>H1</i>
BCO-214	4"(110)	8-3/4"(222)	6-1/8"(155)	7-9/16"(192)	6-3/4"(171)

Job Name \_\_\_\_\_ Contractor \_\_\_\_\_

Job Location \_\_\_\_\_ Approval \_\_\_\_\_

Engineer \_\_\_\_\_ Contractor's P.O. No. \_\_\_\_\_

Approval \_\_\_\_\_ Representative \_\_\_\_\_

# BLÜCHER®

A Watts Water Technologies Company



USA: 100 Watts Road, Spindale, NC, 28160-2298; www.blucherdrains.com

Canada: 5435 North Service Rd., Burlington, ONT. L7L 5H7; www.blucherdrains.ca