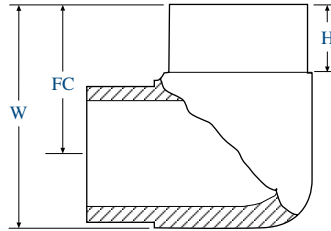


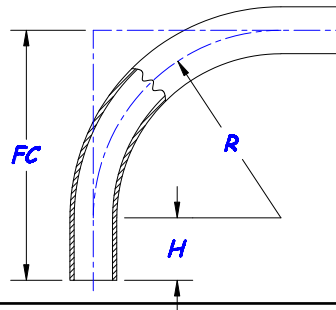
FM Fittings Molded 90 degree Ell 90° – IPS



FM Fittings Molded 90° Elbow – IPS

Nominal Size (in)	Pipe OD (in)	Pressure Class	Part #	Dimensions			Weight (lbs)	Shipping Method
				H (in)	FC (in)	W (in)		
2	2.375	200	ISMF9002C200FM	3	4.5	5.7	0.8	FedEx
		150	ISMF9002C150FM	"	"	"	0.7	"
3	3.5	200	ISMF9003C200FM	3	5.1	6.9	2	FedEx
		150	ISMF9003C150FM	"	"	"	2	"
4	4.5	200	ISMF9004C200FM	3	5.8	8	4.4	FedEx
		150	ISMF9004C150FM	"	"	"	4.3	"
6	6.625	200	ISMF9006C200FM	4.4	9	12.3	12	FedEx
		150	ISMF9006C150FM	"	"	"	11	"

FM Fittings Sweep 90° – IPS



FM Fittings Sweep 90° – IPS

Nominal Size (in)	Pipe OD (in)	Pressure Class	Part #	Dimensions			Shipping Method
				R (in)	H (in)	FC (in)	
4	4.5	200	ISSE9004C200FM	13.5	6	19.5	FedEx
		150	ISSE9004C150FM	"	"	"	"
6	6.625	200	ISSE9006C200FM	19.9	7	26.9	FedEx
		150	ISSE9006C150FM	"	"	"	"
8	8.625	200	ISSE9008C200FM	24.5	10	34.5	LTL
		150	ISSE9008C150FM	"	"	"	"
10	10.75	200	ISSE9010C200FM	32.25	11	43.2	FedEx
		150	ISSE9010C150FM	"	"	"	"
12	12.75	200	ISSE9012C200FM	38.3	13	51.3	FedEx
		150	ISSE9012C150FM	"	"	"	"
14	14.00	200	ISSE9014C200FM	38.9	13	51.9	LTL
		150	ISSE9014C150FM	"	"	"	"

FM PIPE
and Fittings
IPS

1-800-345-ISCO

www.isco-pipe.com