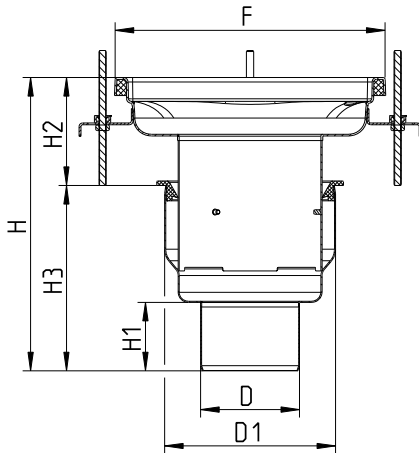


SPECIFICATION: BLÜCHER BFD-240 AISI Type 304 stainless steel on-grade adjustable floor drain with 12"x12" (300x300) square top, 1/8" (3) grating (standard), and no hub bottom outlet.



Bottom Outlet



Optional Gratings			
	Suffix	Description	
	-None	1/8" (Standard)	<input type="checkbox"/>
	-HG	Hygenic-Pro	<input type="checkbox"/>
	-LG	Ladder	<input type="checkbox"/>
	-MG	Mesh	<input type="checkbox"/>
	-SG	Slot	<input type="checkbox"/>

Options		
Suffix	Description	
-316	Type 316 Stainless Steel	<input type="checkbox"/>
-B	Sediment Basket	<input type="checkbox"/>
-P	Stainless Steel P-Trap	<input type="checkbox"/>
-SB	Sand Bucket	<input type="checkbox"/>
-TPT	Trap Primer Tapping	<input type="checkbox"/>
-VP	Grate Secured w/Vandal Proof Screws	<input type="checkbox"/>
-W	Water Trap	<input type="checkbox"/>

Dimensional Chart

Model No.	Pipe Size <i>D</i>	<i>D1</i>	Top Size <i>F</i>	<i>H</i> Adjustable	<i>H1</i>	<i>H2</i> Adjustable	<i>H3</i>
BFD-243	3"(75)	7-1/2"(190)	12"x12" (300x300)	12-3/8" (315)- 14-3/4" (375)	2-9/16"(65)	4-3/4"(120)- 7-1/16"(180)	7-11/16"(195)
BFD-244	4"(110)	7-1/2"(190)	12"x12" (300x300)	12-13/16" (326)- 15-3/16" (386)	3"(76)	4-3/4"(120)- 7-1/16"(180)	8-1/8"(206)

Job Name _____ Contractor _____

Job Location _____ Approval _____

Engineer _____ Contractor's P.O. No. _____

Approval _____ Representative _____



A Watts Water Technologies Company



USA: 100 Watts Road, Spindale, NC, 28160-2298; www.blucherdrains.com
Canada: 5435 North Service Rd., Burlington, ONT. L7L 5H7; www.blucherdrains.ca