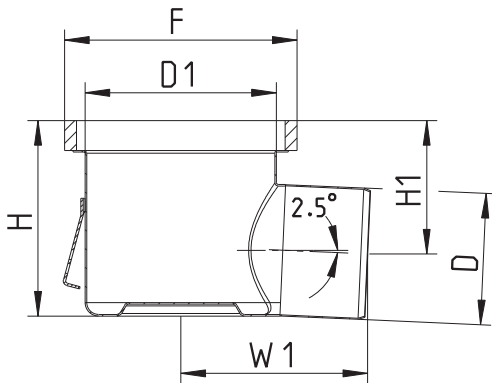


SPECIFICATION: BLÜCHER BFD-440-S0 AISI Type 304 stainless steel on-grade floor drain with 12"(300) round fixed top, 1/8"(3) grating (standard), and no hub side outlet.



Side Outlet



Optional Gratings			
	Suffix	Description	
	-None	1/8" (Standard)	<input type="checkbox"/>
	-LG	Ladder Grating	<input type="checkbox"/>
	-MG	Mesh Grating	<input type="checkbox"/>
	-SG	Slot Grating	<input type="checkbox"/>

Options		
Suffix	Description	
-316	Type 316 Stainless Steel	<input type="checkbox"/>
-B	Sediment Basket	<input type="checkbox"/>
-P	Stainless Steel P-Trap	<input type="checkbox"/>
-SB	Sand Bucket	<input type="checkbox"/>
-TPT	Trap Primer Tapping	<input type="checkbox"/>
-VP	Grate Secured w/Vandal Proof Screws	<input type="checkbox"/>
-W	Water Trap	<input type="checkbox"/>

Dimensional Chart

Model No.	Pipe Size <i>D</i>	<i>D1</i>	Top Size <i>F</i>	<i>H</i>	<i>H1</i>	<i>W1</i>
BFD-444-S0	4"(110)	10-1/4"(260)	11-5/8"(295)	9"(228)	6-15/16"(176)	8-1/8"(206)
BFD-446-S0	6"(160)	10-1/4"(260)	11-5/8"(295)	9"(228)	6-5/16"(160)	13-7/16"(341)

Job Name _____ Contractor _____

Job Location _____ Approval _____

Engineer _____ Contractor's P.O. No. _____

Approval _____ Representative _____