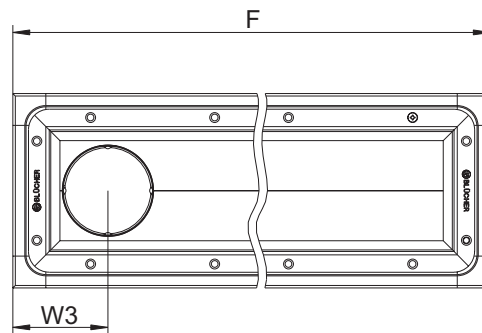
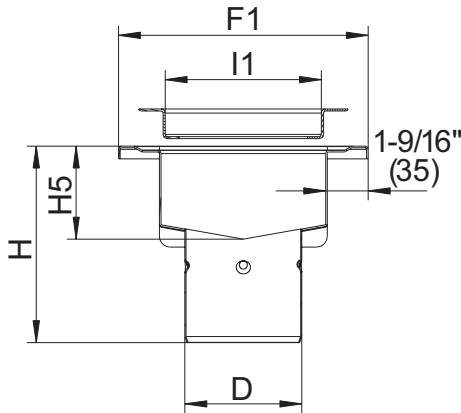


SPECIFICATION: BLÜCHER Series BTV6 AISI Type 304 stainless steel pre-sloped trench drain w/surface membrane clamp for vinyl flooring, 6" (160) wide with 1% longitudinal slope and 160 degree cross fall, 1" (25) thick mesh grating, and no hub outlet.



Optional Grating:		
Suffix	Description	
-HG	Hygenic-Pro Grating	<input type="checkbox"/>
-LG	Ladder Grating	<input type="checkbox"/>

Options		
Suffix	Description	
-316	Type 316 Stainless Steel	<input type="checkbox"/>
-B	Sediment Basket	<input type="checkbox"/>
-LD	Grate Locking Device	<input type="checkbox"/>
-P	Stainless Steel P-Trap	<input type="checkbox"/>
-SB	Sand Bucket (6" (160) Outlet Only)	<input type="checkbox"/>



Dimensional Chart

Model No.	Pipe Size	Length	<i>F1</i>	<i>H</i>	<i>H5</i>	<i>I1</i>	<i>W3</i>
	<i>D</i>	<i>F</i>					
Series BTV6	Specify	Specify	9-1/4" (235)	7-3/8" (186)	3-9/16" (90)	5-13/16" (147)	4-9/16" (115)

Job Name _____ Contractor _____

Job Location _____ Approval _____

Engineer _____ Contractor's P.O. No. _____

Approval _____ Representative _____