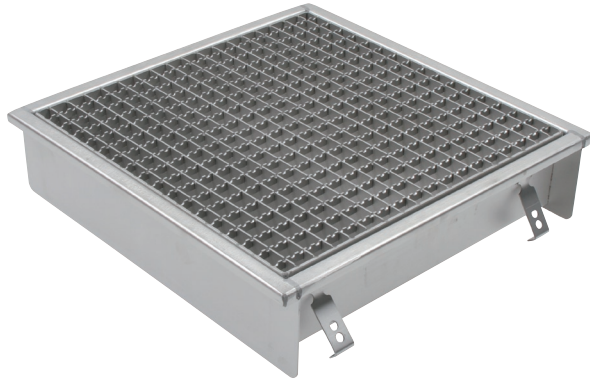


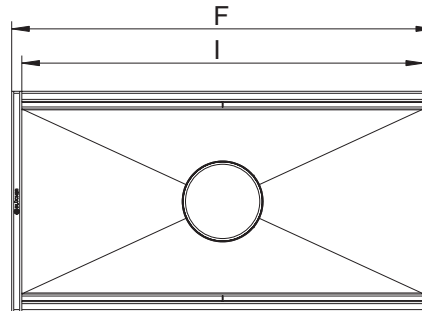
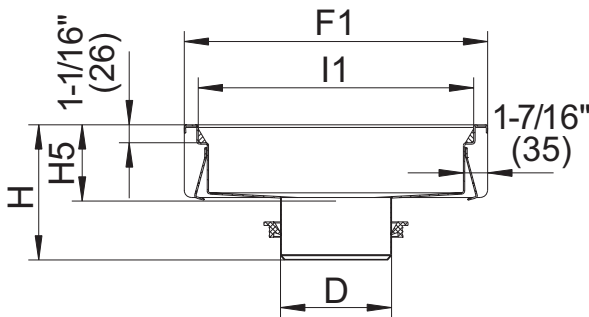
Tag: _____

SPECIFICATION: BLÜCHER BKC-300 AISI Type 304 stainless steel 20"x20"(500x500) x (specify) deep kitchen channel with 1"(25) thick mesh grating, and no hub bottom outlet.



Optional Grating:		
Suffix	Description	
-LG	Heavy Duty Ladder Grating	<input type="checkbox"/>

Options		
Suffix	Description	
-316	Type 316 Stainless Steel	<input type="checkbox"/>
-B	Sediment Basket	<input type="checkbox"/>
-E	Edge Infill	<input type="checkbox"/>
-FC	Flashing Flange & Clamp	<input type="checkbox"/>
-LD	Grate Locking Device	<input type="checkbox"/>
-P	Stainless Steel P-Trap	<input type="checkbox"/>
-SB	Sand Bucket (6"(160) Outlet Only)	<input type="checkbox"/>
-W	Water Trap	<input type="checkbox"/>



Dimensional Chart

Model No.	Pipe Size D	F	F1	H	Depth H5	I	I1
BKC-304-2	4"(110)	21-1/8"(537)	21-1/8"(537)	6-7/16"(163)	2-3/8"(60)	19-9/16"(497)	19-9/16"(497)
BKC-304-4	4"(110)	21-1/8"(537)	21-1/8"(537)	8-3/8"(213)	4-5/16"(110)	19-9/16"(497)	19-9/16"(497)
BKC-304-6	4"(110)	21-1/8"(537)	21-1/8"(537)	10"(253)	5-7/8"(150)	19-9/16"(497)	19-9/16"(497)
BKC-306-2	6"(160)	21-1/8"(537)	21-1/8"(537)	5-11/16"(145)	2-3/8"(60)	19-9/16"(497)	19-9/16"(497)
BKC-306-4	6"(160)	21-1/8"(537)	21-1/8"(537)	7-11/16"(195)	4-5/16"(110)	19-9/16"(497)	19-9/16"(497)
BKC-306-6	6"(160)	21-1/8"(537)	21-1/8"(537)	9-1/4"(235)	5-7/8"(150)	19-9/16"(497)	19-9/16"(497)

Job Name _____ Contractor _____

Job Location _____ Approval _____

Engineer _____ Contractor's P.O. No. _____

Approval _____ Representative _____