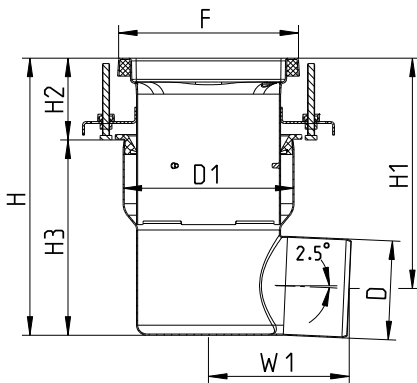


SPECIFICATION: BLÜCHER BFD-210-SO AISI Type 304 stainless steel on-grade adjustable floor drain with 8"x8"(200x200) square top, 1/8"(3) grating (standard), and no hub side outlet.



Side Outlet



Optional Gratings			
	Suffix	Description	
	-None	1/8" (Standard)	<input type="checkbox"/>
	-HG	Hygenic-Pro	<input type="checkbox"/>
	-LG	Ladder	<input type="checkbox"/>
	-MG	Mesh	<input type="checkbox"/>
	-SG	Slot	<input type="checkbox"/>

Options		
Suffix	Description	
-316	Type 316 Stainless Steel	<input type="checkbox"/>
-B	Sediment Basket	<input type="checkbox"/>
-P	Stainless Steel P-Trap	<input type="checkbox"/>
-SB	Sand Bucket	<input type="checkbox"/>
-TPT	Trap Primer Tapping	<input type="checkbox"/>
-VP	Grate Secured w/Vandal Proof Screws	<input type="checkbox"/>
-W	Water Trap	<input type="checkbox"/>

Dimensional Chart

Model No.	Pipe Size D	D1	Top Size F	H Adjustable	H1 Adjustable	H2 Adjustable	H3	W1
BFD-213-SO	3"(75)	7-1/2"(190)	8"x8" (200x200)	12-1/8"(308)- 14-1/2"(368)	10-13/16"(275)- 13-3/16"(335)	3-5/8"(91)- 6"(151)	8-9/16"(217)	9-15/16"(253)
BFD-214-SO	4"(110)	7-1/2"(190)	8"x8" (200x200)	12-1/8"(308)- 14-1/2"(368)	10-1/16"(256)- 12-7/16"(316)	3-5/8"(91)- 6"(151)	8-9/16"(217)	6-3/16"(156)

Job Name _____ Contractor _____

Job Location _____ Approval _____

Engineer _____ Contractor's P.O. No. _____

Approval _____ Representative _____