

Alpine offers a wide variety of add-on components and products to give you even more features, functions and convenience.



CHA-S634 6-DISC CD / MP3 CHANGER

- Ai-NET Control • Mounting Angle 0°-90° • Anti-shock system • MP3 Playback • High speed disc changing mechanism • Compact design



KCE-236B FULL SPEED TO MINI-JACK ADAPTER

- For connecting a portable MP3 player or similar to CDA-9887R, CDA-9886R, CDE-9882Ri/RSi, CDE-9880R, DVA-9861Ri, IVA-D106R, IVA-W505RV-W502R and IVA-W205R-W202R



KCE-237B FULL SPEED TO MINI-JACK ADAPTER

- For connecting a portable MP3 player or similar to CDA-105Ri, CDE-104BTi, CDE-103BT, CDE-102Ri, CDE-101R/RM and CDE-W203Ri

Connection Cables for iPod



KCE-433iV
FULL SPEED CONNECTION CABLE FOR iPod
• For connecting an iPod or iPhone to CDE-103BT and CDE-101R/RM • Required to use iPod with KCE-400BT



KCE-422i
FULL SPEED CONNECTION CABLE FOR iPod
• For connecting an iPod to CDA-9887R, CDE-9880R, IVA-W205R and IVA-W202R



KCE-USB3
USB CONNECTION CABLE
• 2 meter USB connection cable, includes flush mount adapter and standard mount



Required for following iPod models

iPod touch
2nd generation
8GB 16GB 32GB

iPod nano
4th generation (video)
8GB 16GB

KCX-422TR CHARGING CONVERTER FOR iPod

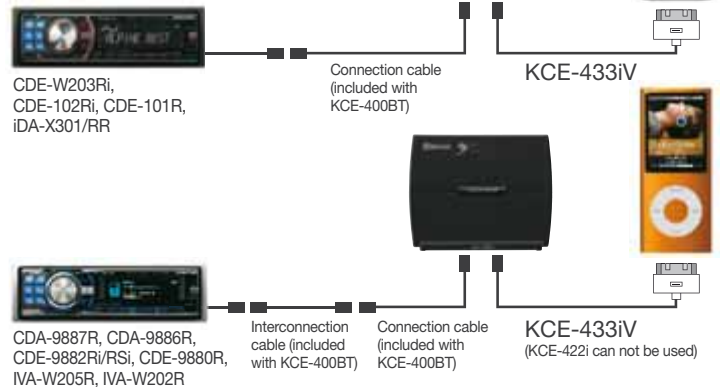
- Required to connect (and charge) iPod nano 4th Gen. and iPod touch 2nd Gen. to CDA-9887R, CDA-9886R, CDE-9882Ri/RSi, CDE-9880R, DVA-9861Ri, IVA-D106R, IVA-W205R and IVA-W202R
- Not required with KCE-400BT



CHARGING CONVERTER for iPod nano 4th Gen. and iPod touch 2nd Gen. It plugs in conveniently between the connection cable and the iPod (not needed with KCE-400BT).

KCE-400BT Connection Overview

These illustrations show how to connect your head unit, Bluetooth Module and mobile phone cradle. The connection cables to the head unit are included. The KCE-433iV Full Speed cable is required for connecting an iPod, but is included with many models.



Find more information at www.alpine-europe.com

Head Unit Model Overview

● = Feature Ready ● = Cable Included

	Made for iPod	Works with iPhone	USB PLAYBACK	AAC MP3	Bluetooth Ready	Remote READY	Power Pack READY	Quadruple Amplification	VEHICLE DISPLAY INTERFACE	AI-NET	24bit D/A CONVERTER	Bluetooth READY
CDA-9887R	●			●	●	●		●	●	●	●	built-in
CDA-9886R	●		●	●	●	●		●	●	●	●	●
CDA-105Ri	●	●	●	●	●	●		●	●	●	●	●
CDE-104BTi	●	●	●	●	built-in	●		●				●
CDE-103BT	●	●	●	●	built-in	●		●				●
CDE-9882Ri/-RSi	●		●	●	●	●		●				●
CDE-9880R	●		●	●	●	●		●				●
CDE-102Ri	●	●	●	●	●	●		●				●
CDE-W203Ri	●	●	●	●	●	●		●				●
CDE-101R/RM	●	●	●	MP3	●	●		●				●
DVA-9861Ri	●			●	●	●		●	●	●	●	●
Required Accessory	See Chart on page 31	See Chart on page 31			KCE-400BT	Ask your dealer	KTP-445		Ask your dealer			PXA-H100