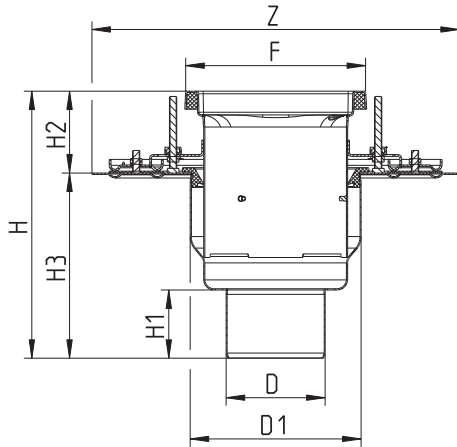


Tag: _____

SPECIFICATION: BLÜCHER BFD-110 AISI Type 304 stainless steel adjustable floor drain with 8"x8" (200x200) square top, membrane clamping flange, 1/8" (3) grating (standard), and no hub bottom outlet.



Bottom Outlet



Dimensional Chart

Model No.	Pipe Size <i>D</i>	<i>D1</i>	Top Size <i>F</i>	<i>Z</i>	<i>H</i> Adjustable	<i>H1</i>	<i>H2</i> Adjustable	<i>H3</i>
BFD-113	3"(75)	7-1/2"(190)	8"x8"(200x200)	16-1/8"(409)	11-1/4"(286)- 13-5/8"(346)	2-9/16"(65)	3-5/8"(91)- 6"(151)	7-11/16"(195)
BFD-114	4"(110)	7-1/2"(190)	8"x8"(200x200)	16-1/8"(409)	11-11/16"(297)- 14-1/16"(357)	3"(76)	3-5/8"(91)- 6"(151)	8-1/8"(206)

Optional Gratings			
	Suffix	Description	
	-None	1/8" (Standard)	<input type="checkbox"/>
	-HG	Hygenic-Pro	<input type="checkbox"/>
	-LG	Ladder	<input type="checkbox"/>
	-MG	Mesh	<input type="checkbox"/>
	-SG	Slot	<input type="checkbox"/>

Options		
Suffix	Description	
-316	Type 316 Stainless Steel	<input type="checkbox"/>
-B	Sediment Basket	<input type="checkbox"/>
-P	Stainless Steel P-Trap	<input type="checkbox"/>
-SB	Sand Bucket	<input type="checkbox"/>
-TPT	Trap Primer Tapping	<input type="checkbox"/>
-VP	Grate Secured w/Vandal Proof Screws	<input type="checkbox"/>
-W	Water Trap	<input type="checkbox"/>

Job Name _____ Contractor _____
 Job Location _____ Approval _____
 Engineer _____ Contractor's P.O. No. _____
 Approval _____ Representative _____



A Watts Water Technologies Company



USA: 100 Watts Road, Spindale, NC, 28160-2298; www.blucherdrains.com
Canada: 5435 North Service Rd., Burlington, ONT. L7L 5H7; www.blucherdrains.ca