



SwitchView® SC KVM Switches Enhanced Secure KVM Switching

Switch between multiple computers without compromising network security

With the SwitchView SC KVM switch, you can safely switch between as many as eight classified and unclassified computers, all from one keyboard, monitor and mouse. The SwitchView SC design makes it impossible to transfer data between the connected computers – an important factor for a user who may access secure and non-secure networks from one point of contact.

Available in 4-port and 8-port models, the SwitchView SC switch puts secure access and control at your fingertips. Plus, the 8-port model doubles as a monitor stand, leaving zero footprint on the desktop.

When combined with Avocent's LongView® extension technology, critical computers and other related assets can be located in secure (locked) areas, providing controlled access with the SwitchView SC switch.

Benefits

- **Agency Approval.** Evaluated to NIAP Common Criteria EAL 4+ security requirements.
- **Controlled KVM Switching.** Separate I/O processors for controlled KVM switching and access to computers.
- **Cable Management.** Avocent's locking cables provide secure connections and reduce cable volume.
- **Custom-Designed Firmware.** Custom-designed encrypted internal firmware made in the U.S.
- **Standard PS/2 Protocol.** Standard PS/2 protocol is maintained to avoid the possibility of any external device detecting the presence of the SwitchView SC switch.
- **Clears Buffer.** Automatically clears the keyboard buffer immediately after data is transmitted through the switch, so no data is ever left in the switch.
- **Reliable Performance.** 8-port model uses an internal power supply for optimal processing performance.
- **Space Saving.** Compact 4-port model saves space on the desktop and 8-port model doubles as a monitor stand for zero footprint on the desktop.



The SwitchView SC switch provides secure access and control to classified and unclassified computers, all from one switch.

Part Number	Description
-------------	-------------

Ordering Details

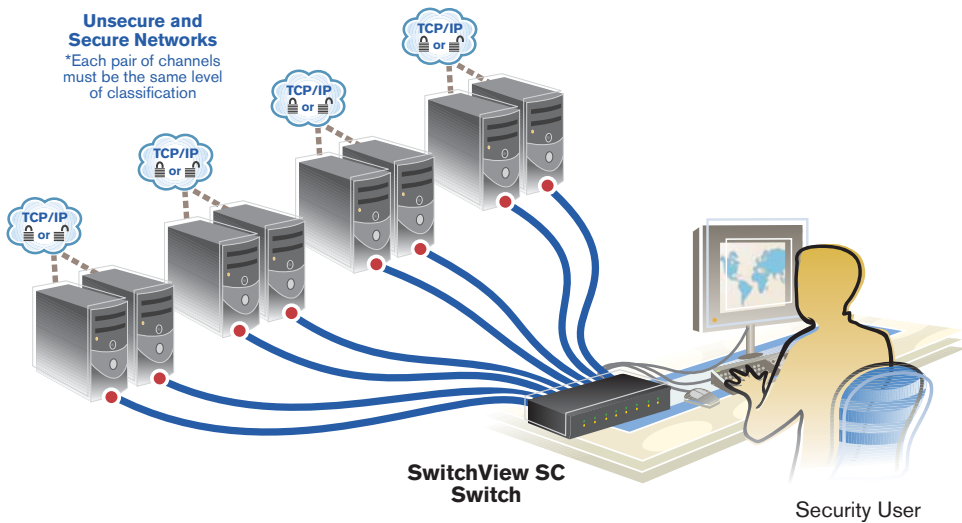
10040-SC	Single user, 4-port SwitchView SC switch
10080SC-XXX	Single user, 8-port SwitchView SC switch

Cables & Accessories

CPS2-6A	6 feet color-coded VGA, PS/2 keyboard and mouse for the 11040-SC
CIFCA-4	4 feet single sheath VGA, PS/2 keyboard and mouse
CIFCA-8	8 feet single sheath VGA, PS/2 keyboard and mouse
CIFCA-15	15 feet single sheath VGA, PS/2 keyboard and mouse
CIFCA-30	30 feet single sheath VGA, PS/2 keyboard and mouse
RMK-39	19 inch rack mount kit

For country-specific availability, please contact an Avocent sales representative.

SwitchView SC security features let you switch safely between secured and non-secured networks



Specifications

10040-SC (4-port)

Mechanical

Size: 1.9 in. (4.83 cm)H, 8.1 in. (20.6 cm)W, 11 in. (27.94 cm)D
Weight: 0.9 lbs (0.4 Kg)
Style: Desktop

Environmental

Operating Temperature: 41 to 104 F (5 to 40 C)
Storage Temperature: -4 to 122 F (-20 to 50 C)

Power

Power: 6 VDC @ 700 mA (optional)

Hardware

Computer: IBM® PC/AT, PS/2 and 100% compatible

Video Modes: VGA and SVGA, maximum resolution 1600x1200 @ 75 Hz

Peripherals: PS/2 keyboard, PS/2 mouse, Microsoft® IntelliMouse® (PS/2 only)

Standards

Approved Agency: UL 1950, CSA C22.2 No. 950, EN60950 FCC part 15B, EN55022, EN50082 EAL 4+; Peripheral Sharing Switch (PSS) for Human Interface Devices

NSA Requirements: NIAP Common Criteria Tested to EAL 4

Warranty

Two Year

GSA Number

GS-35F0264K

10080SC-AM (8-port)

Mechanical

Size: 1.7 in. (4.5 cm)H, 17.2 in. (43.7 cm)W, 8.5 in. (21.6 cm)D
Weight: 6.3 lbs (2.9 Kg)
Style: Desktop or rack mount

Environmental

Operating Temperature: -41 to 104 F (5 to 40 C)
Storage Temperature: -4 to 122 F (20 to 50 C)

Power

Input: 8 W
Operating Voltage: 100-230 VAC
Frequency: 50-60 Hz

Hardware

Computer: IBM PC/AT, PS/2 and 100% compatible

Video Modes: VGA, SVGA, (XGA, XGA-II with adaptor), maximum resolution 1280x1024 @ 60 Hz

Peripherals: PS/2 keyboard, PS/2 mouse, Microsoft IntelliMouse (PS/2 only)

Standards

Approved Agency: UL, cUL, FCC, IC and CE

NSA Requirements: NIAP Common Criteria Tested to EAL 4

GSA Number

GS-35F0264K



www.avocent.com/contacts

Avocent, the Avocent logo, SwitchView and LongView are registered trademarks of Avocent Corporation or its affiliates in the U.S. and other countries. All other marks are the property of their respective owners. Copyright © 2009, Avocent Corporation.

0209-SVSC-DS-EN