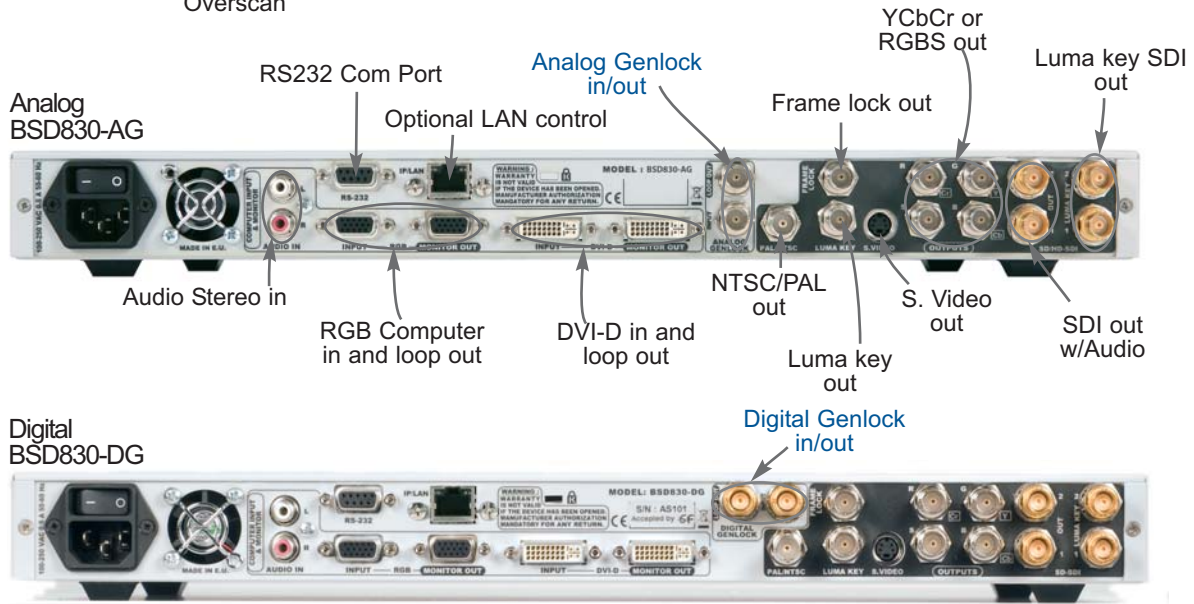
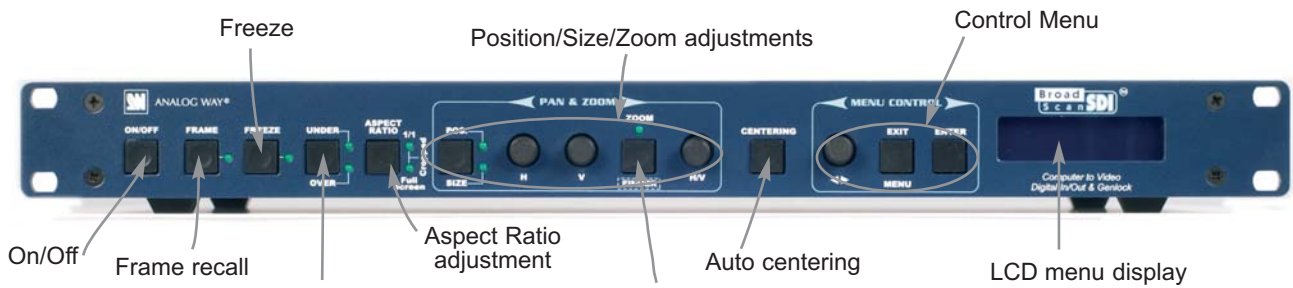


Broad Scan SDI™

Very High Resolution to Video Scan Converter with Genlock and Embedded Audio w/Delay

New!

Model. BSD830-AG
Model. BSD830-DG



Features

- DVI and RGB Computer Input up to 1920x1200
- Workstations, PC, Mac compatible input
- Digital outputs: SDI 10 bits
- Analog outputs: YUV, NTSC/PAL, RGB, S-Video
- Embedded Stereo Audio
- Genlock: SDI or Analog Black Burst
- Multi-level anti-flicker
- Horizontal & vertical filters
- 16/9, 4/3, special size and cropped output
- Pan & zoom resizing up to 1000%
- Frame & logo memory
- RS232 Upgradable
- Remote control software
- Ethernet interface: Optional
- For Broadcast Studio and TV Production



ANALOG WAY®

www.analogway.com

P/N: BSD830/1107-VA

Scan Converters

Technical Specifications

Computer Input

- For PC, Mac and Workstation
- DVI-D and RGsB, RGBS, RGBHV with Automatic synchronization detection
- Resolution up to 1600x1200/60Hz & 1920x1200RB@60Hz
- Horizontal frequency from 31.5kHz to 130 kHz
- Vertical frequency up to 130 Hz
- Audio Stereo: Unbalanced 44kOhms +-18dB - Adjustable level

Outputs

- SDI (x2): 4:2:2 – 10 bits – 270 Mbs 75 Ohms (fs=48KHz@20/24 bit)
- YCrCb; RGsB, RGBS: 0.7Vp/p + Sync. 0.3V - 75 Ohms
- S.Video: Y/C - 0.7Vp/p + Sync. 0.3V - 75 Ohms
- NTSC/PAL: Composite Video - 0.7Vp/p + Sync. 0.3V - 75 Ohms
- Luma key (x2): SDI – Same format as output - 75 Ohms
- Luma key: Analog 0.7Vp/p - Same format as output - 75 Ohms
- Frame Lock: TTL Level – Output frame rate

DIGITAL GENLOCK (Model BSD830-DG)

- Input: SDI Black
- Output: Active loop through

ANALOG GENLOCK (Model BSD830-AG)

- Input: Black Burst NTSC or PAL
- Output: Active loop through

User Controls and Connectors

FRONT PANEL

- Stand by On/Off
- Frame recall
- Freeze
- Under/Over scan
- Aspect ratio: 1/1 - Cropped - Full Screen
- Zoom up to 1000%, linear pan & scan & Finder
- Position and size
- LCD screen and control buttons for:
 - Input type and status
 - 8 level anti-flicker
 - RGB & Black level adjustment, sharpness
 - Output format selection
 - Genlock phase adjustment (H&fsc)

REAR PANEL

Input Connectors:

- DVI-I Female (Digital computer in only)
- HD15 Female (Analog computer in)
- BNC (Genlock in)
- RCA Audio Stereo

Output Connectors:

- DVI-I Female: Active loop through
- HD15 Female: Active loop through
- BNC (x2): SDI
- BNC (x4): YUV or RGsB/RGBS
- Mini DIN 4 pin: S. Video
- BNC: NTSC / PAL
- BNC: Genlock Active loop through
- BNC: Analog Luma key out
- BNC (x2): Digital Luma key out
- BNC: Frame lock out

Miscellaneous:

- DB9: RS232 for remote control
- RJ45: Optional Ethernet connection
- AC mains connector with On/Off switch

Power Supply

Internal, universal, automatic, 100-250 V; 50/60 Hz; 40 W (UL, CSA, GS, CE)

Supplied with

- 1 x AC power cable
- 1 x Remote control software
- 1 x User manual

Dimensions: 1U, 19" Compatible

- D 10.4" x W 19" x H 1.74"
- D 265 mm x W 482 mm x H 44 mm

Weight: 3.3 kg / 7.3 lbs

Warranty: 3 year warranty on parts and labor back to factory

Specifications subject to change without prior notice

USA, Canada, South America and The Carribeans

ANALOG WAY Inc.
Tel. 212 269 1902
Fax. 212 269 1943
Email: salesusa@analogway.com

ANALOG WAY

Europe, Africa and Middle-East
ANALOG WAY FRANCE
Tel. 331 64 47 16 03
Fax. 331 64 47 14 73
Email: saleseuro@analogway.com

Asia and Asia Pacific
ANALOG WAY Pte Ltd
Tel.: 65 62 92 58 00
Fax.: 65 62 92 52 05
Email: sales@analogwayasia.com

Broad Scan SDI™ by Analog Way is a **Broadcast and Professional Computer to Video Scan Converter**. Fitted with Digital DVI and Analog RGB input, it converts Workstation, PC or Mac graphic images up to 1600x1200@60Hz (1920x1200 RB) into NTSC or PAL Video.

Each Computer input has its own monitor loop through output for the connection of a control display. Output signal can be both Analog and Digital, thus **Broad Scan SDI** can provide a full Digital signal processing path from the input to the output.

Broad Scan SDI features a powerful Broadcast Genlock. Two versions of the **Broad Scan SDI** offer either a Digital SDI Genlock (*Model BSD830-DG*) or an Analog Black Burst Genlock (*Model BSD830-AG*). Genlock input is fitted with a loop through output allowing to daisy chain devices. The user can adjust phase and subcarrier delay according to specific installation requirements. All Genlock timings meet broadcast ITU/SMPTE standards.

Broad Scan SDI output formats are:

- NTSC – 525i @ 60 & 59.94 Hz – 15.735 kHz – ITU / RS170-A,
- PAL – 625i @ 50 Hz – 15.625 kHz – CCIR.

Broad Scan SDI outputs different signals at the same time in one selected output format **NTSC or PAL**: Two 10 Bits SDI, one YUV or RGB, one S.Video and one Composite Video signals are available simultaneously.

Broad Scan SDI also outputs Luma Key signal in both Digital and Analog signals. The Luma key signal comes in the same format as the output and perfectly timed. In addition, a Frame Lock output allows synchronizing an external device frame rate such as a graphic card.

Broad Scan SDI features real time conversion with high performance Image Processing. User adjustments offer an Anti-Flicker filter to significantly reduce flickering of the interlaced TV outputs, as well as 2D Sharpness, RGB level and

Black level. It converts single wire Computer type signal into black and white Video image just by setting a menu. The state of the art high speed hardware FPGA allows aspect ratio control and a wide linear or non linear zoom capability up to 1000%. In addition, a new highlighted "zoom finder" is provided to preview the actual part of the picture to be zoomed (H, V and H&V simultaneously). **Broad Scan SDI** also offers a Frame Memory to store a full screen image that can be displayed at any time as well as 1 animated or 4 still logos.

Broad Scan SDI allows embedding Analog Audio Stereo input signal into the SDI output signal (fs=48 KHz@20/24 bits), with matched A/V delay, adjustable level, balance and mute.

Broad Scan SDI is designed to be User Friendly thanks to many direct access functions such as Freeze, Frame, Under/Over scan, Aspect Ratio, Zoom position and size. It also has easy to use and efficient menus on a clear bright blue LCD screen. LCD continuously displays Input and Output status during operation.

Broad Scan SDI includes Computer input format memory: Up to 16 user presets are stored in the device corresponding to 16 different input formats. The exact adjustments of the frequently used formats are instantly recalled which makes the **Broad Scan SDI** ideal and very useful for multi-computer applications or rental.

References

- > **BSD830-DG**: Broad Scan SDI with Digital Genlock
- > **BSD830-AG**: Broad Scan SDI with Analog Genlock

Option

- > **OPT-LAN**: IP / Ethernet Control

Cables for Broad Scan SDI

- > BNC Cables from 2m/6ft to 20m/66ft
- > S.Video Cables from 2m/6ft to 20m/66ft
- > Remote Cables from 0.3m/1ft to 30m/100ft
- > SDI-HD SDI Cables from 3m/10ft to 30m/100ft M/M
- > VGA Cables from 0.3m/1ft to 2m/6ft
- > DVI Cables from 2m/6ft to **70m/230ft**