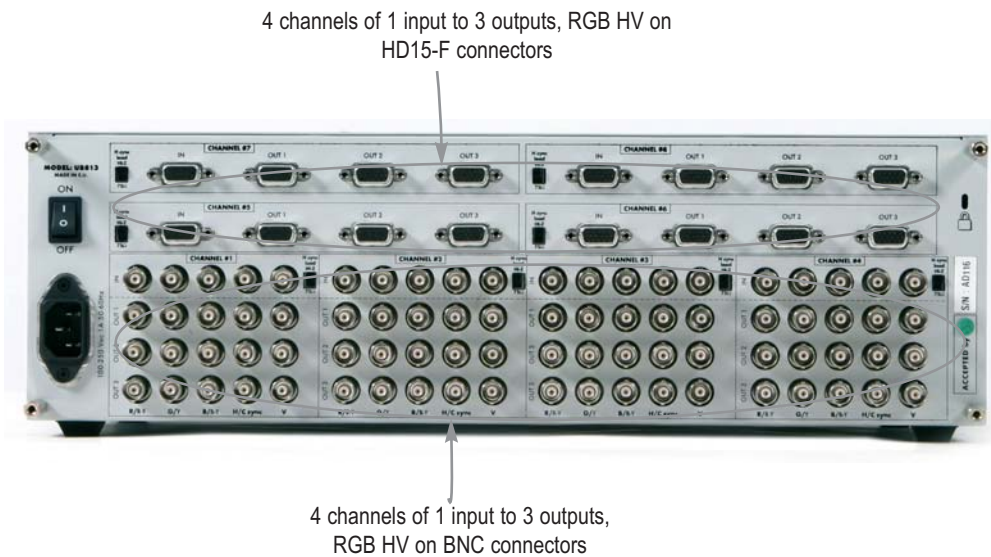
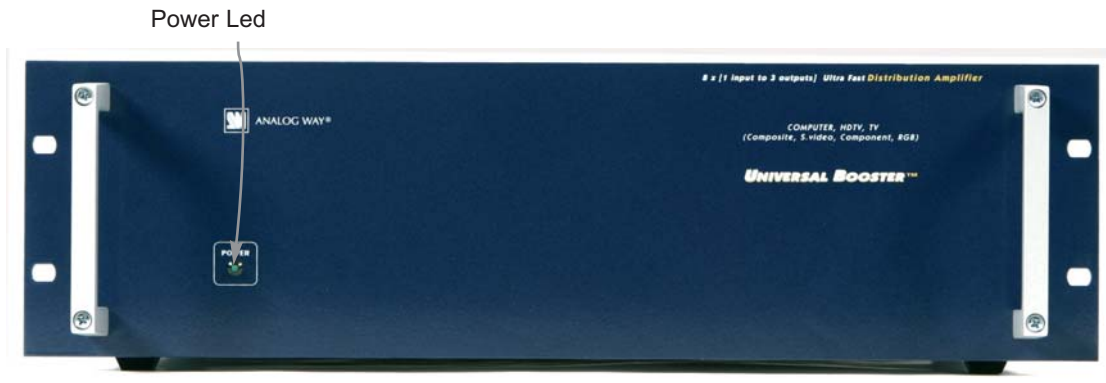


Universal Booster™

Multiway Universal Analog Distribution Amplifier with
8 Channels of 1 Input to 3 Amplified Outputs

Model. **UB813**



Features

- 8 channels of 1 input to 3 amplified outputs
- PC, Mac, Workstation, TV, HDTV
- 8 Inputs: TV, HDTV, PC, Mac, Workstation
- 8 x 3 boosted outputs
- Bandwidth 300 MHz
- Compact enclosure, 3U
- To connect simultaneously the Switchers of the **iX**, **Octo Vue** and **Octo²** ranges
- For AV Pro and Broadcast presentations



ANALOG WAY®

www.analogway.com

P/N: UB813/B1107-VA

Technical Specifications

Entrées

- 4 x 5 connecteurs BNC femelle
- 4 x Connecteurs HD15 femelle
- Compatible YUV, RVB HV, RVB/S, RVsB, RsVsBs, Y/C, Composite, YUV-HD, RVB-HD

Inputs

- 4 x 5 BNC female connectors
- 4 x HD15 female connectors
- YUV, RGB HV, RGB/S, RGsB, Y/C, Composite, HDYUV, HDRGB compatible
- Line frequency: 15 kHz up to 130 kHz
- Frame frequency: 24 Hz up to 130 Hz
- Bandwidth: 300 MHz (-3dB)
- Signals: RGB / YUV: 0.7Vp/p up to 1 Vp/p
- H sync and Composite sync: 0.3 Vp/p up to 2 Vp/p
- 2 and 3 levels sync (HD) compatible
- V sync: TTL amplified

Outputs

- 8 x 3 separate and buffered outputs (4x3x5 BNC female connectors and 4x3 HD15 female connectors)
- Output format and output sync are of the same boosted type as corresponding input (except vertical sync which is boosted in digital TTL type)

User Controls

BACK PANEL

- On/Off power switch
- Hi-Z/75 Ohms: Hi-Z or 75 Ohms terminating switch for each H / Comp sync input

Dimensions: 19" compatible, 3 units

- D 9.45" x W 19" x H 5.25"
- D 240 mm x W 482 mm x H 133 mm

Weight: 4.5 kg / 9.9 lbs

Power Supply

- Internal, universal, automatic
- 100/250VAC, 50/60 Hz, 40W

Supplied with

- 1 x Power cable
- 1 x User manual

Waranty: 3 year warranty on parts and labor, back to factory

Specifications subject to change without notice

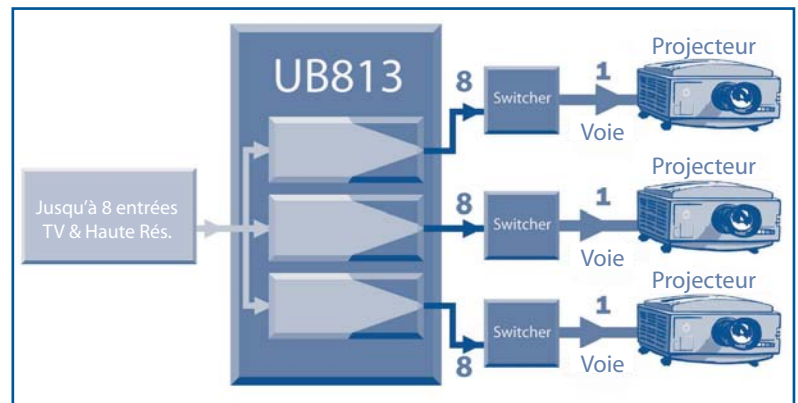
Universal Booster™ by **Analog Way** is a **Multway Distribution Amplifier with 8 x {1 input to 3 outputs}** for RGB HV, RGB/S, RGsB or YUV signals as well as Video Composite, Y/C and HDTV (HD-YUV, HD-RGB).

Each of the 8 independent inputs is split into 3 separate buffered and amplified outputs. This is the equivalent of integrating, in the same enclosure, 8 different 1 in / 3 out DAs. It saves space while reducing the cost of using several power supplies.

Universal Booster offers 4 channels equipped with BNC connectors and 4 channels equipped with HD15. This makes it particularly convenient to distribute sources when presenting a multi-screen event with up to 3 **Di-VentiX**, **EventiX**, **CentriX** or **NatiX**.

Universal Booster offers a 300 MHz bandwidth for signal transparency.

Note: **iX Mate** is the perfect addition to the **Universal Booster** in case of HD/SD-SDI or DVI sources.



Reference

> **UB813:** Universal Booster™

Cables for Universal Booster

- > BNC Cables from 1.8m/6ft to 20m/66ft
- > VGA Cables from 0.4m/1.3ft to 30m/100ft
- > VGA/BNC Adaptors Cables of 1.8m/6ft and 3m/10ft

ANALOG WAY

USA, Canada, South America and The Carribeans
 ANALOG WAY Inc
 Tel.: +1 212 269 1902
 Fax.: +1 212 269 1943
 Email: salesusa@analogway.com

Europe, Africa and Middle-East
 ANALOG WAY FRANCE
 Tel.: + 33 1 64 47 16 03
 Fax.: + 33 1 64 47 14 73
 Email: saleseuro@analogway.com

Asia and Asia Pacific
 ANALOG WAY Pte Ltd
 Tel.: + 65 62 92 58 00
 Fax.: + 65 62 92 52 05
 Email: salesasia@analogway.com