

# Blackbody Source Hyperion R

- Low Temperature Radiation Pyrometer Primary Source
- 50mm Diameter Cavity
- 0.995 Emissivity

The Hyperion R Portable Blackbody Calibration Source allows for calibration of noncontact infrared thermometers over the temperature range -10°C to 80°C.

It is suitable for use as a primary radiation source for infrared thermometers from sub zero to 80°C.

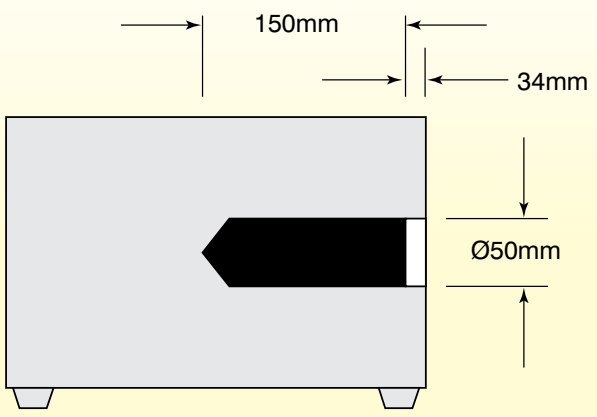
Laboratory performance and low uncertainty calibrations are ensured by the combination by high emissivity and excellent temperature uniformity.

The digital temperature controller allows the block temperature to be set to any value from -10°C to 80°C.

Traceability of the radiance temperature is established by a separate, built-in temperature indicator and included platinum resistance thermometer.

A three point traceable calibration certificate is included. UKAS calibration of the resistance thermometer is available, as is radiometric calibration.

Uniformity of the block is ensured by using distributed thermoelectric heat pumps with the benefit of solid state, vibration free cooling.



**Hyperion R**

<b>Model</b>	<b>982</b>
Temperature Range	-10°C to 80.0°C
Emissivity	Greater than 0.995
Stability	±0.1°C
Display Resolution	0.01°C
Heating Time	40 minutes to 80°C
Cooling Time	45 minutes to -10°C
Aperture Diameter	50mm
Cavity Depth	150mm
PC Interface	included
Power	200 Watts typical
Voltage	100-130 or 208-240 Vac
Dimensions	H 310mm W 265mm D 200mm
Weight	10kg
<b>Options</b>	
Orifice Plates 10, 20, 30, 40mm (Restricts Cavity Aperture)	812-01-06
Carrying Case	931-22-64

**How To Order**  
 Model 982 Hyperion R  
 State Supply Voltage  
 Please state any special calibration requirement