



VR51

TWO-WAY LOUDSPEAKER

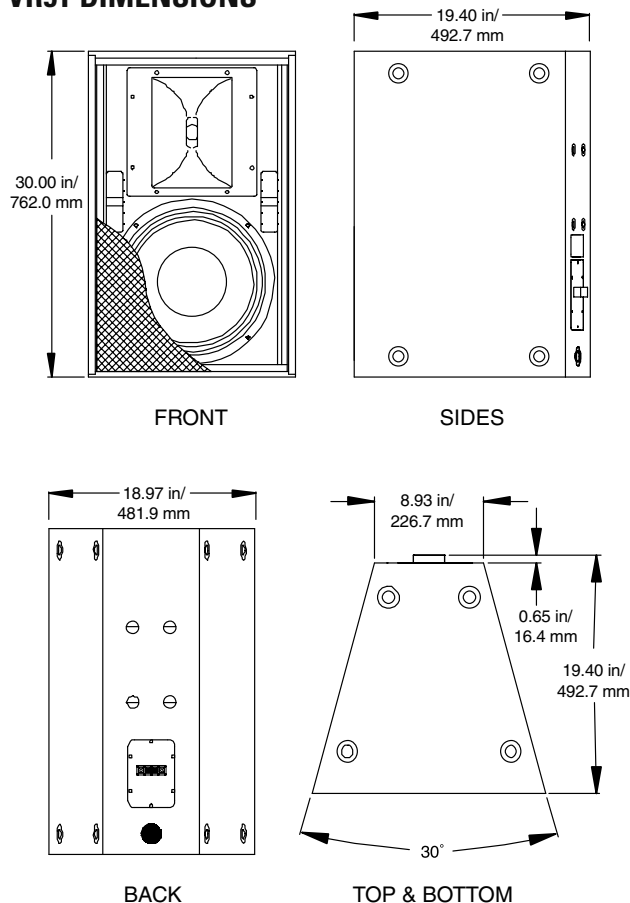
DESCRIPTION

The VR51 has been engineered as a high output full range solution for a wide range of applications, from music and speech reinforcement to delay or fill coverage. Two horns are included with each VR51: the factory-installed low Q horn can easily be rotated or replaced with a high-Q horn as needs dictate. The ability to select among four coverage patterns with either vertical or horizontal mounting makes the VR51 a uniquely versatile solution. High acoustic output capabilities enable the VR51 to deliver clear speech and clean music to large audience areas.

The cross-ply laminated birch enclosure includes several threaded mounting points, suitable for use with either forged shoulder eyebolts or a user-supplied OmniMount 120.0 Series wall mount bracket. The VR51 is available in either black or white finishes. A foam-backed powder-coated steel grill protects the drivers. The entire loudspeaker is fully tested at the time of manufacture and is warranted to be free from defects in materials and workmanship for a period of five years from the date of purchase.



VR51 DIMENSIONS



Features

- Both low-Q and high-Q horns included
- Rotatable horns and multiple threaded inserts allow vertical or horizontal mounting
- High SPL full range output with 15 inch LF & 1.4 inch HF drivers
- Integral passive crossover network allows economical single-amplifier powering
- Optional 70 V / 100 V multi-tap transformer (AC-TX 128)
- 3/8"-16 mounting points

Applications

- Houses of Worship
- Night Clubs
- Audiovisual Presentation
- Retail Environments
- Distributed Systems
- Theaters
- Theme Parks



VR51

TWO-WAY LOUDSPEAKER

SPECIFICATIONS

PRODUCT DATA

Model Name	VR51
Part Number	Black: 0010086 White: 0011348
File creation date	07/29/2004

SPECIFICATION SHEET TABULAR DATA

Descriptive Data			
	Ways	Type	Mode
	2-way	Full-Range	Single Amp

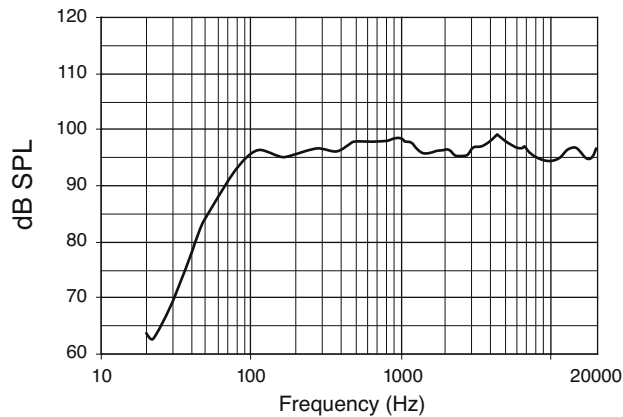
CONFIGURATION

Subsystem	Transducer	Loading
	LF	1x15 in cone — Vented
	HF	1x1.4 in exit compression driver — Horn-loaded

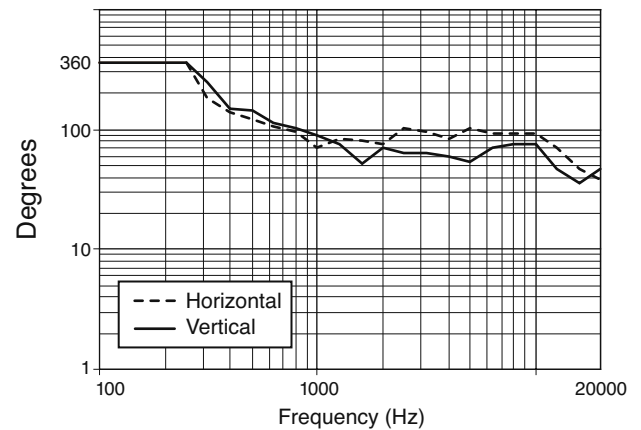
PERFORMANCE

Operating Range	55 Hz to 20000 Hz	
Nominal Beamwidth (rotatable)	<i>Factory installed</i>	<i>Supplied (user installed)</i>
	Horizontal	90° / 60°
	Vertical	60° / 45°
Axial Sensitivity (whole space SPL)	99 dB	55 Hz to 20000 Hz
Peak Sensitivity (whole space SPL)	99 dB	20 Hz to 20 kHz
Input Impedance (ohms)	Nominal	Minimum
	8	7.3 @ 160 Hz
Recommended High-Pass Filter	=> 60 Hz, 24 dB/octave Butterworth	
Power Handling	500 W	64 V @ 8 ohms
	Calculated Maximum SPL	<i>Average</i> / <i>Peak</i>
	123 dB	129 dB

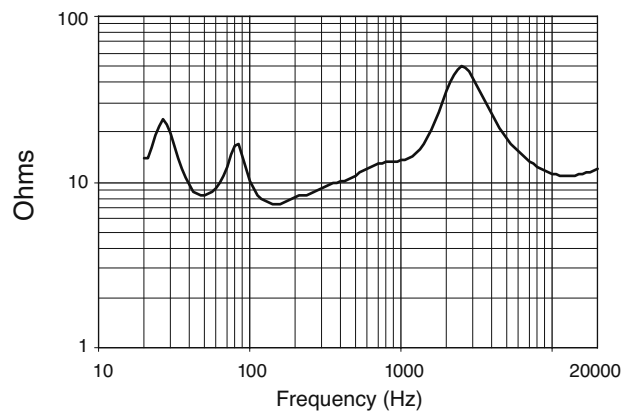
VR51 FREQUENCY RESPONSE ON-AXIS



VR51 BEAMWIDTH VS. FREQUENCY



VR51 IMPEDANCE VS. FREQUENCY

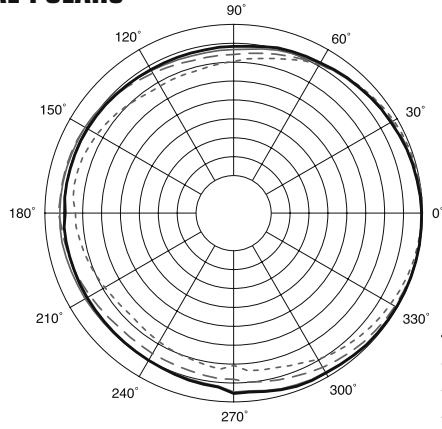




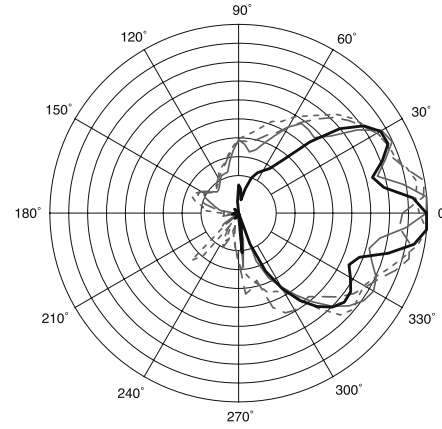
VR51

TWO-WAY LOUDSPEAKER

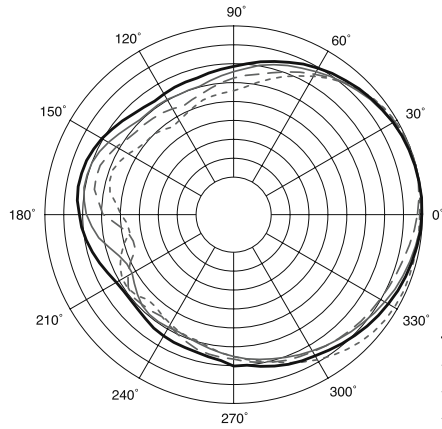
VR51 VERTICAL POLARS



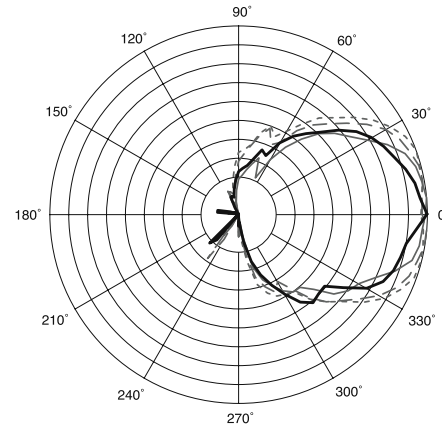
- 100 Hz
- 125 Hz
- - 160 Hz
- - - 200 Hz



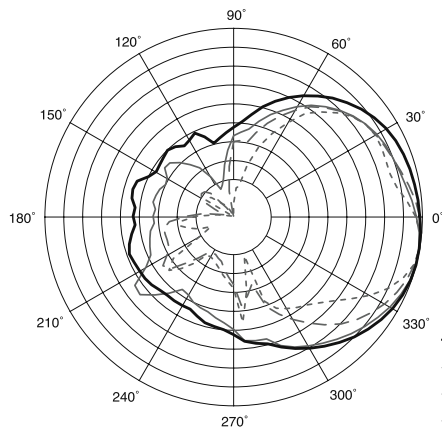
- 1600 Hz
- 2000 Hz
- - 2500 Hz
- - - 3150 Hz



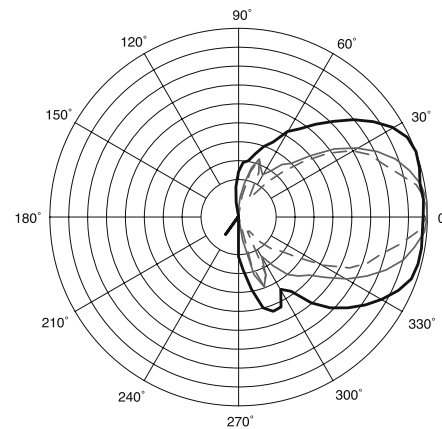
- 250 Hz
- 315 Hz
- - 400 Hz
- - - 500 Hz



- 4000 Hz
- 5000 Hz
- - 6300 Hz
- - - 8000 Hz



- 630 Hz
- 800 Hz
- - 1000 Hz
- - - 1250 Hz



- 10000 Hz
- 12500 Hz
- - 16000 Hz

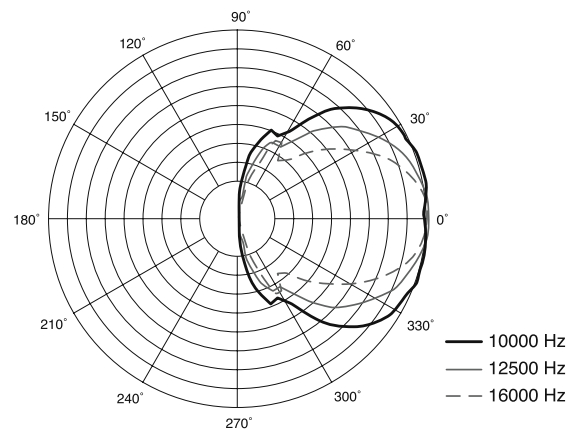
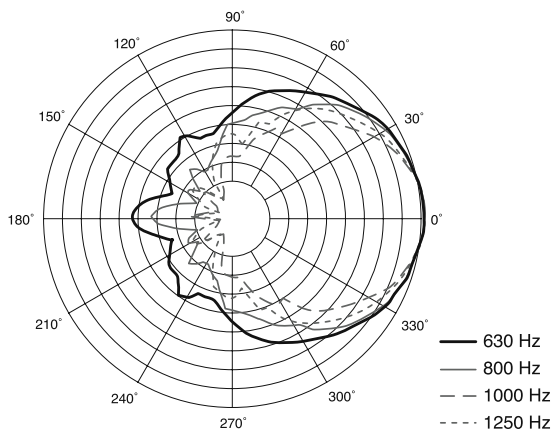
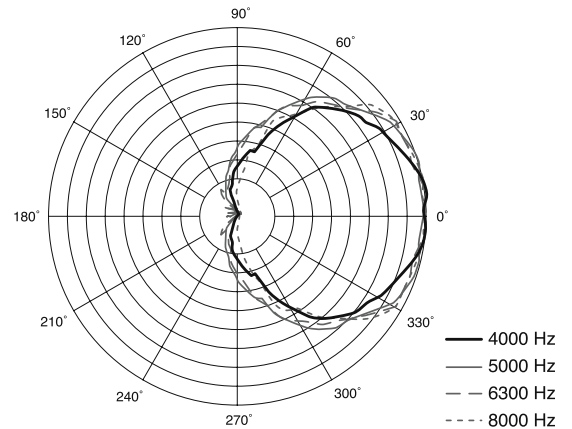
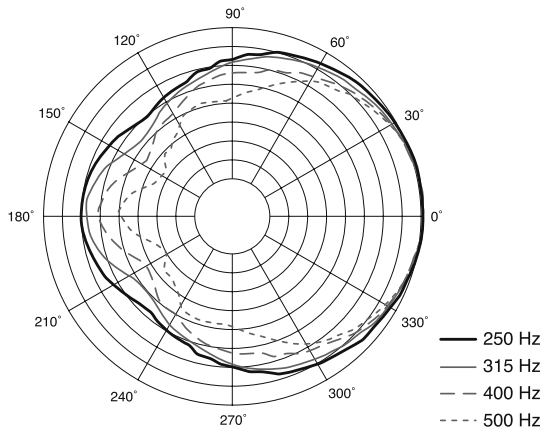
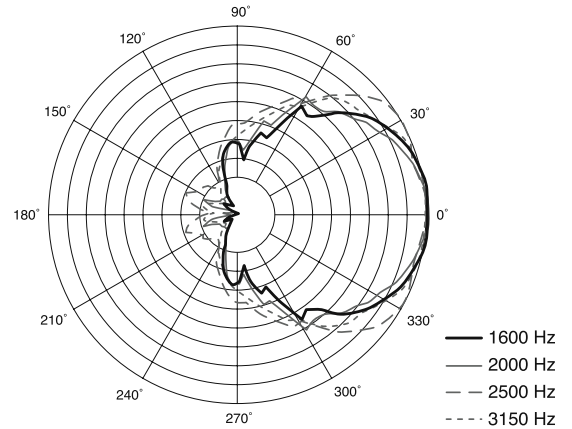
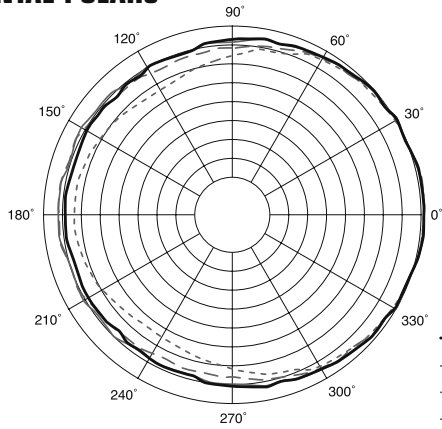
(Chart Scale = 3 dB / division)



VR51

TWO-WAY LOUDSPEAKER

VR51 HORIZONTAL POLARS



(Chart Scale = 3 dB / division)