



VR61

COMPACT TWO-WAY LOUDSPEAKER

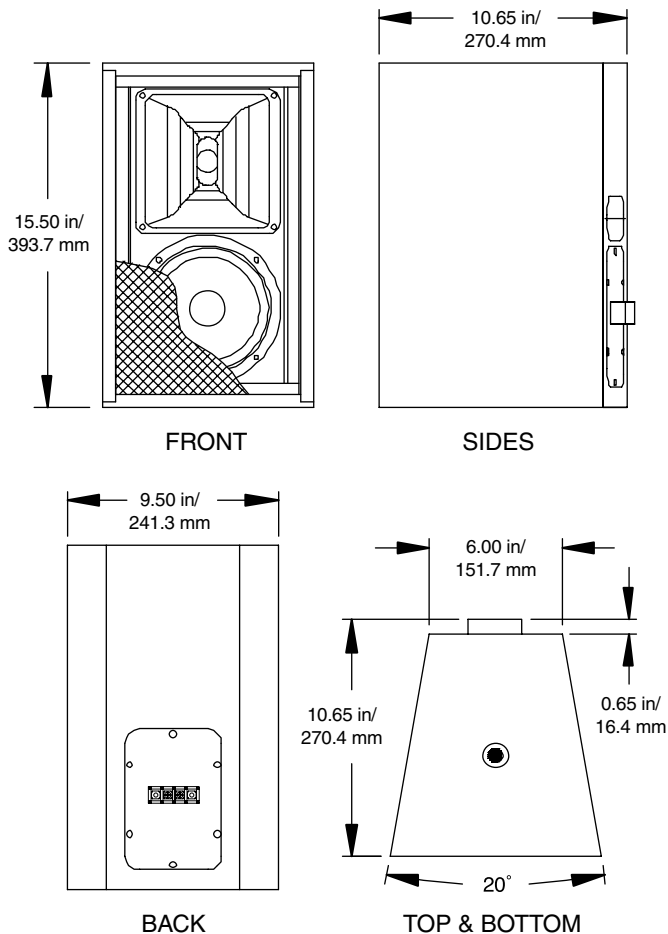
DESCRIPTION

The VR61 is engineered for superior sound and unobtrusive installation. A purpose-designed 6-inch LF driver enables the compact VR61 to match the output of competitive 8-inch 2-way speakers. The rotatable horn makes beamwidth orientation independent of mounting direction, allowing the VR61 to be installed under balconies or on stage lips as easily as it can be mounted on walls or suspended from ceilings, using the included mounting bracket.

The cross-ply laminated birch enclosure is available in either black or white finish. A foam-backed powder-coated steel grill protects the driver. The entire loudspeaker is fully tested at the time of manufacture and is warranted to be free from defects in materials and workmanship for a period of five years from the date of purchase.



VR61 DIMENSIONS



Features

- High output 6 inch LF, 1 inch exit HF
- Rotatable horn with 60° x 90° (nominal) HF beamwidth
- Mounting bracket included
- Optional 70 V / 100 V multi-tap transformer (AC-TX 64)
- Integral passive crossover network allows economical single-amplifier powering

Applications

- Under Balcony Fill
- Retail Environments
- Distributed Systems
- Theme Parks
- Stage Lip Fill
- Audiovisual Presentation
- Houses of Worship



VR61

COMPACT TWO-WAY LOUDSPEAKER

SPECIFICATIONS

PRODUCT DATA

Model Name	VR61
Part Number	Black: 0010496 White: 0011349
File creation date	7/29/2004

SPECIFICATION SHEET TABULAR DATA

Descriptive Data			
	Ways	Type	Mode
	2-way	Full-Range	Single Amp

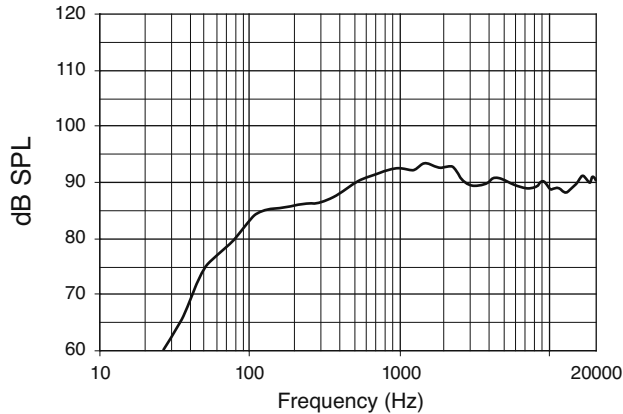
CONFIGURATION

Subsystem	Transducer	Loading
	LF	1x6 in cone — Sealed
	HF	1x1 in exit compression driver — Horn-loaded

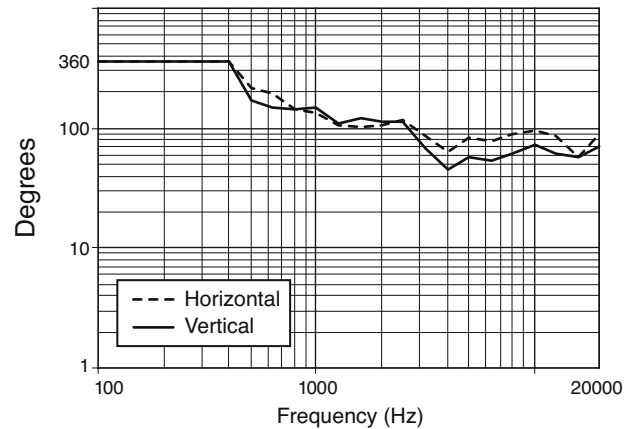
PERFORMANCE

Operating Range	85 Hz to 20000 Hz	
Nominal Beamwidth (rotatable)	Horizontal	90°
	Vertical	60°
Axial Sensitivity (whole space SPL)	90 dB 85 Hz to 20000 Hz	
Peak Sensitivity (whole space SPL)	93 dB 20 Hz to 20 kHz	
Input Impedance (ohms)	Nominal	Minimum
	8	3.6 @ 2660 Hz
Recommended High-Pass Filter	High Pass => 75 Hz, 24 dB/octave Butterworth	
Power Handling	150 W	35 V @ 8 ohms
Calculated Maximum SPL	Average	Peak
	112 dB	118 dB

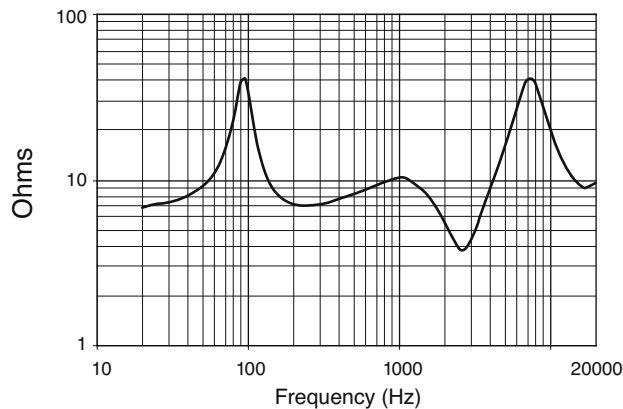
VR61 FREQUENCY RESPONSE ON-AXIS



VR61 BEAMWIDTH VS. FREQUENCY



VR61 IMPEDANCE VS. FREQUENCY

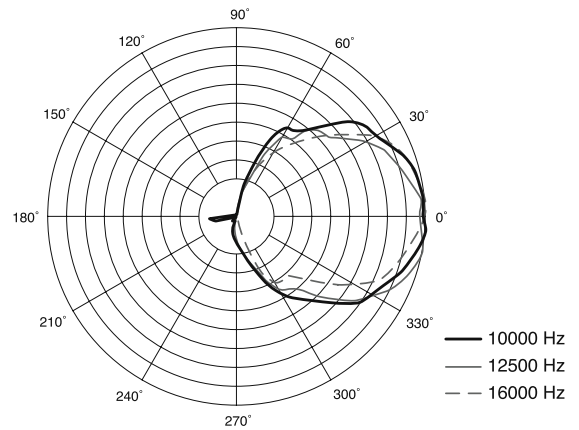
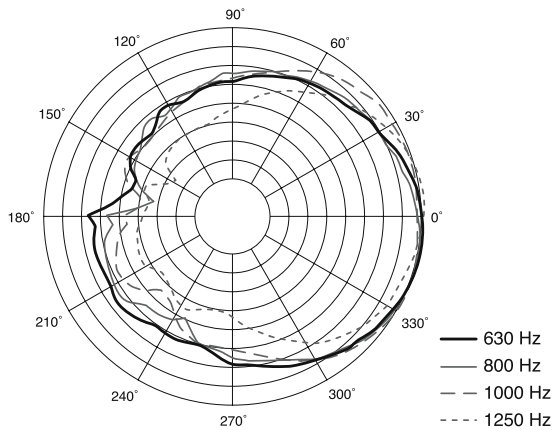
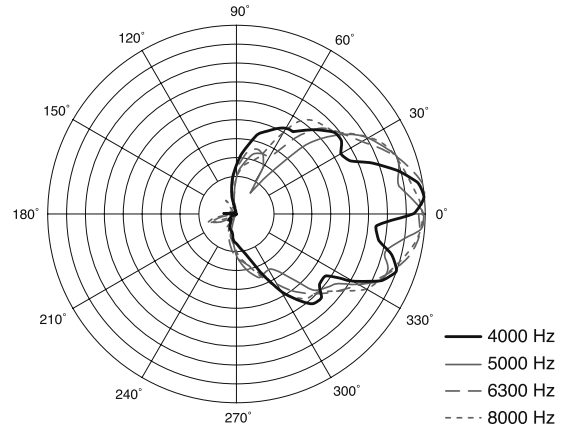
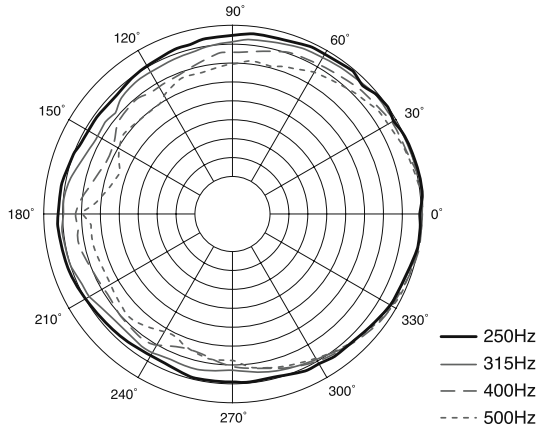
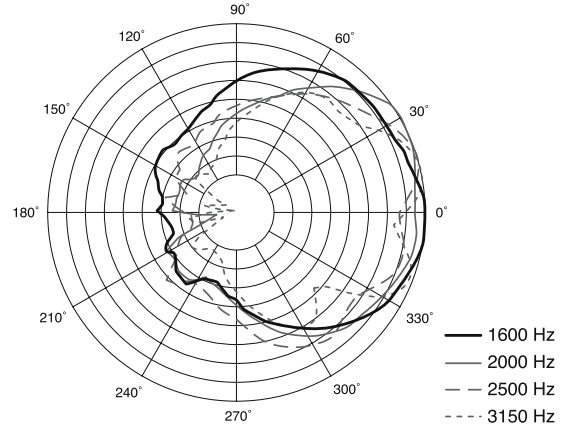
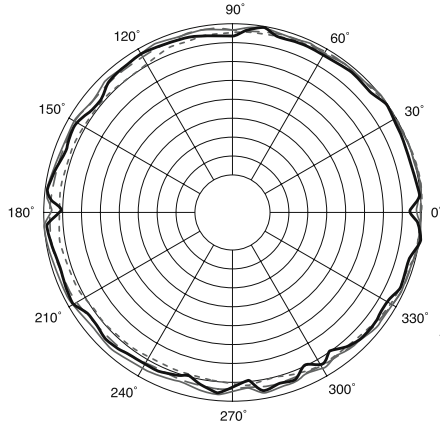




VR61

COMPACT TWO-WAY LOUDSPEAKER

VR61 VERTICAL POLARS



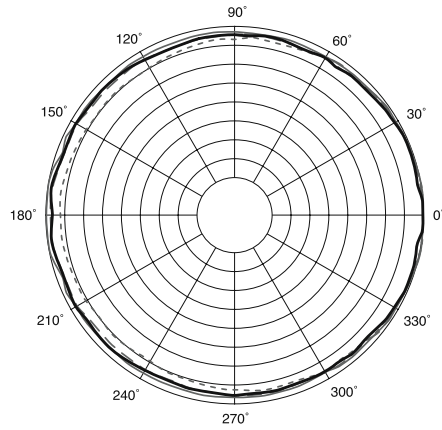
(Chart Scale = 3 dB / division)



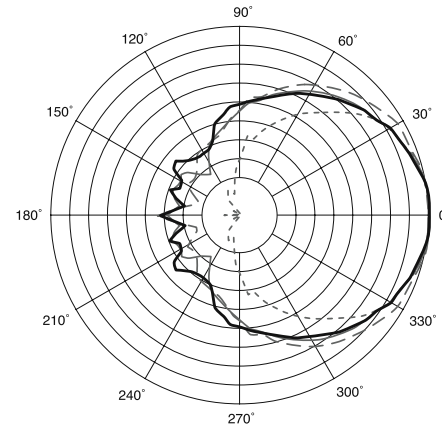
VR61

COMPACT TWO-WAY LOUDSPEAKER

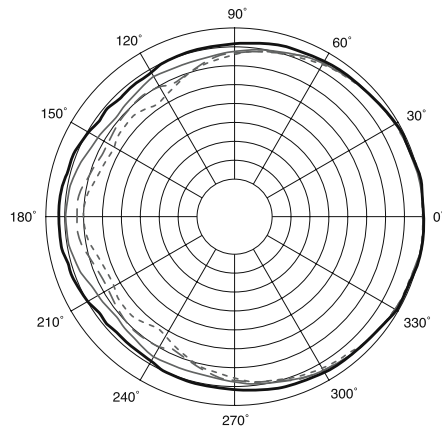
VR61 HORIZONTAL POLARS



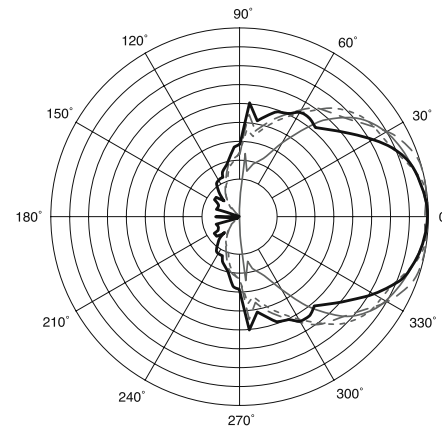
- 100Hz
- 125Hz
- - 160Hz
- - - 200Hz



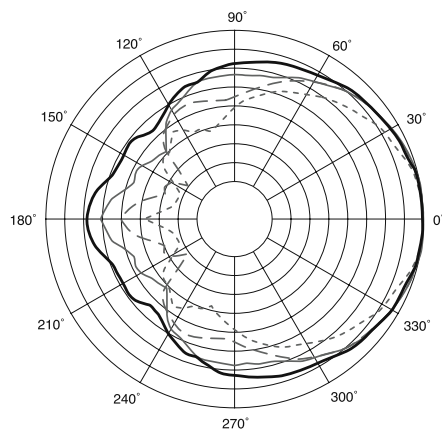
- 1600 Hz
- 2000 Hz
- - 2500 Hz
- - - 3150 Hz



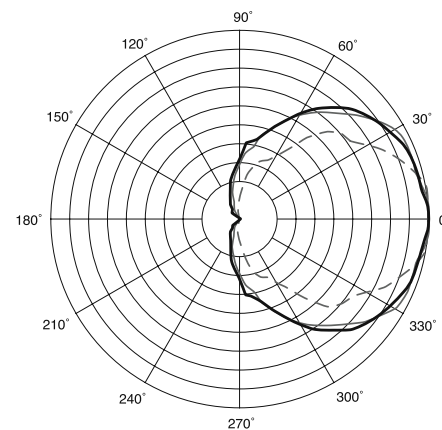
- 250Hz
- 315Hz
- - 400Hz
- - - 500Hz



- 4000 Hz
- 5000 Hz
- - 6300 Hz
- - - 8000 Hz



- 630 Hz
- 800 Hz
- - 1000 Hz
- - - 1250 Hz



- 10000 Hz
- 12500 Hz
- - 16000 Hz

(Chart Scale = 3 dB / division)