

Emerge® EMS2000 Series AV Extenders



Audio/visual extension

The Avocent EmERGE EMS2000 series is a range of audiovisual extenders delivering high video resolutions, superb quality audio and RS-232 up to 300 meters using standard CAT x cable (x=5, 5e, 6, 7). The innovative design allows for extensible distribution of audiovisual and control signals to display devices such that deployments can grow in line with future needs. The EmERGE EMS2000 series makes the design of digital signage applications cost effective, flexible and easy to deploy.

Emerge EMS2100T Transmitter and EMS2100R Receiver

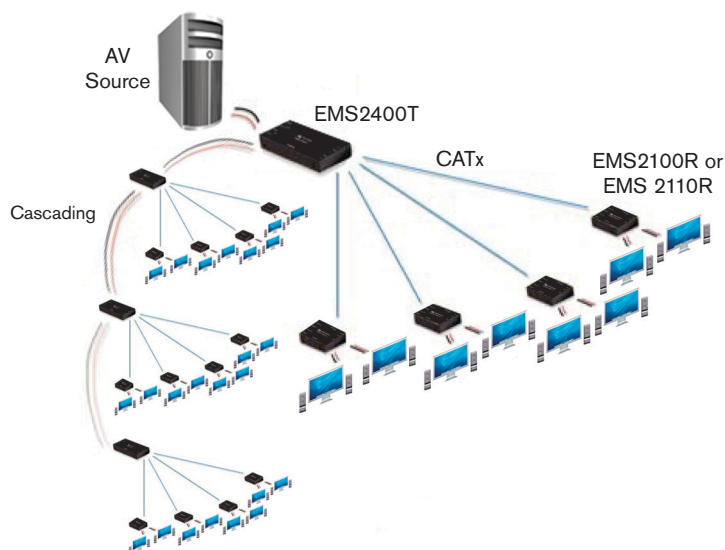
- Local port on transmitter to connect local screen, speakers and serial or for cascading
- EMS2100R duplicates input from transmitter allowing for 2 video, 2 audio outputs, and 2 serial
- Control or manage either screen via RS-232

Emerge EMS2400T Transmitter

- Extends a single high-resolution video, high fidelity audio and RS-232 signals to 4 (EMS21XXR) receivers
- Local port to connect local screen, speakers and serial or to cascade to other EmERGE EMS2400T

Emerge EMS2110R Receiver

- Duplicates input from transmitter allowing for 2 video, 2 audio outputs
- Control or manage either screen via RS-232



Distribute crisp, clear and bright VGA, CD quality audio and transparent RS-232 from a single PC to 32 display devices up to 1000 ft (300 m) from a source device. Perfect for digital signage and media streaming applications.

KEY FEATURES

- **Video Performance.** Industry leading resolutions of 1600 x 1200 are achievable at 650 ft (200 m) and 1280 x 1024 at 1000 ft (300 m).
- **Display Management via RS-232.** EMS2000 transmitters allow for bi-directional and automated communication with individual screens, or all screens at the same time.
- **Video Compensation and Brightness Control.** The EmERGE AV extenders can apply a high level of signal compensation and brightness correction that ensures the image is crisp, clear and bright over long distances.
- **Audio.** Digital audio extension of analog audio signals delivers high fidelity; click-less audio for speakers and microphones.
- **Integrated DeSkew.** The EmERGE EMS2110R has integrated skew correction with a 300MHz bandwidth, meaning that it is more than powerful enough to counteract the negative effects of the skew.

EMERGE® EMS2000 SERIES: EMS2100T, EMS2100R, EMS2400T, EMS2110R

Technical Specifications

EMS2000 Series: Mechanical / Power / Environmental Size:

Emerge EMS2100T, EMS2100R and EMS2110R units

Metal steel case: 3.86" (98 mm), 3.74" (95 mm), 0.98" (25 mm)

Emerge EMS2400T unit

Metal steel case: 7.28" (185 mm), 3.74" (95 mm), 2.01" (51 mm)

Power Supply: 100-240 VAC, 50/60Hz

Operating Temperature: 32°F (0°C) to 104°F (40°C)

EMS2000 Series: Video Resolutions

1600 x 1280 at distances up to 650 ft (200 m),

1280 x 1024 at distances up to 1000 ft (300 m)

EMS2000 Series: Extension Distance

Up to 300 m (1000 ft) using CAT 5, 5e, 6, 7

EMS2000 Series: Audio

Transmitted as digital signals to ensure high fidelity and low noise levels

EMS2000 Series: Connectors

EMS2100T Video In/Out: HDD15. Audio In/Out:

3.5mm audio jack. RS232 in: DB9F out: DB9M

CAT x: 1 x RJ-45 connector. Power: 2.5mm DC jack

EMS2100R Video Out: 2 x HDD15. Audio Out:

2 x 3.5mm audio jack. RS-232 Out: DB9M*

CAT x: 1 x RJ-45 connector. Power: 2.5mm DC jack

EMS2110R Video Out: 2 x HDD15. Audio Out:

2 x 3.5mm audio jack. RS-232 Out: DB9M*

CAT x: 1 x RJ-45 connector in. Power: 2.5mm DC jack

EMS2400T Video In/Out: HDD15. Audio In/Out:

3.5mm audio jack. RS-232 in: DB9F out: DB9M

CAT x: 4 x RJ-45 connector. Power: 2.5mm DC jack

* EMS2100R and EMS2110R units only have a single RS-232 interface, but optional cable is available allowing connection to two screens

Standards

CE, FCC

Warranty

Two years

Ordering Details

Part Number Description

EMS2100T	EMS2100T Single Port Transmitter with Serial
EMS2100R	EMS2100R Dual Head Receiver with Serial
EMS2400T	EMS2400T Four Port Transmitter with Serial
EMS2110R	EMS2100R Dual Head Receiver with Serial and Deskew



EMS2000 Series AV Extenders: EMS2400T, EMS2100T, EMS2100R, and EMS2110R



One Dambrackas Way, Sunrise, FL 33351
TEL 800.275.3500 - 954.746.9000, Ext. 7110
FAX 954.746.9101 - connectivity.sales@avocent.com
www.connectivity.avocent.com

Avocent, the Avocent logo and EmERGE are registered trademarks of Avocent Corporation or its affiliates. All other marks are the property of their respective owners. © 2008 Avocent Corporation.