

DESCRIPTION

The SMS4124 advances the state-of-the-art for small loudspeaker technology in providing high quality sound and controlled directivity. The design incorporates several innovative technologies developed by EAW for much larger professional loudspeakers. These provide the SMS4124 with the directional performance, wavefront coherency, output levels, and sound quality normally associated with much larger and more expensive loudspeakers.

The 4 LF drivers are configured in a precise arrangement to provide excellent pattern control and coherency below the LF/HF crossover. In addition, the LF drivers couple at lower frequencies providing the LF output of a much larger driver without sacrificing sound quality through the crossover region. The custom, high power HF driver complements the LF subsystem throughout the critical speech range. The result of these driver configurations is an extended range of pattern control and coherency that is not generally associated with loudspeakers of this size.

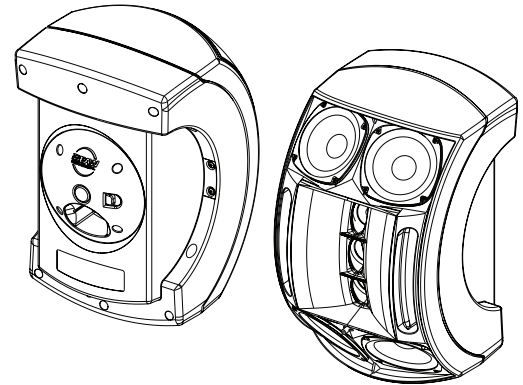
The SMS4124 is designed for surface mounting using the Clip-Fit™ wall bracket. The Clip-Fit bracket provides both the mechanical and electrical connections to the loudspeaker. This allows the loudspeaker mounting and wiring to be pre-installed on the job site. The loudspeaker is then simply mounted to the Clip-Fit bracket in one operation that provides both the mechanical and electrical connections.

Features

- 4 x 4 inch low frequency transducers
- 3 x 2 inch high frequency cone tweeters
- 120° x 40° coverage pattern
- UV/weather resistant HIPS (High Impact Polystyrene) enclosure
- Crossover optimized for speech intelligibility
- U-bracket included

Applications

- Meeting Rooms
- Houses of Worship
- Courtrooms
- Multizone Paging/Music Systems
- Hotels
- Boardrooms
- Multi-Purpose Facilities



SPECIFICATIONS

CONFIGURATION

Subsystem:	<i>Transducer</i> LF 4 × 4 in cone HF 3 × 2 in cone	<i>Loading</i> Vented Horn-loaded
Operating Mode:	<i>Amplifier Channels</i> Single-amp LF/HF	<i>External Signal Processing</i> HPF

PERFORMANCE

Operating Range:	82 Hz to 20 kHz	
Nominal Beamwidth:	Horz 120°	Vert 40°
Axial Sensitivity (whole space SPL):	LF/HF 92 dB 82 Hz to 20 kHz	
Input Impedance (ohms):	<i>Nominal</i> LF/HF 8	<i>Minimum</i> 5.1 @ 10.6 kHz
Input Taps (w/CF-4TX version):	70 V: 128 W / 64 W / 32 W / 16 W 100 V: 128 W / 64 W / 32 W	
High Pass Filter:	High Pass=>60 Hz, 24 dB/octave Butterworth	
Accelerated Life Test:	LF/HF 45 V 250 W @ 8 ohm	
Calculated Axial Output Limit (whole space SPL):	<i>Average</i> LF/HF 116 dB	<i>Peak</i> 122 dB

PRODUCT DATA

Model Name:	SMS4124
Part Number:	0018509 Black 0018511 White

PHYSICAL

Height (front face):	16.82 in / 42.72 cm
Width (front face):	9.94 in / 25.25 cm
Depth (from face, backwards):	11.46 in / 29.11 cm
Weight:	17.6 lbs / 7.98 kg

ACCESSORIES

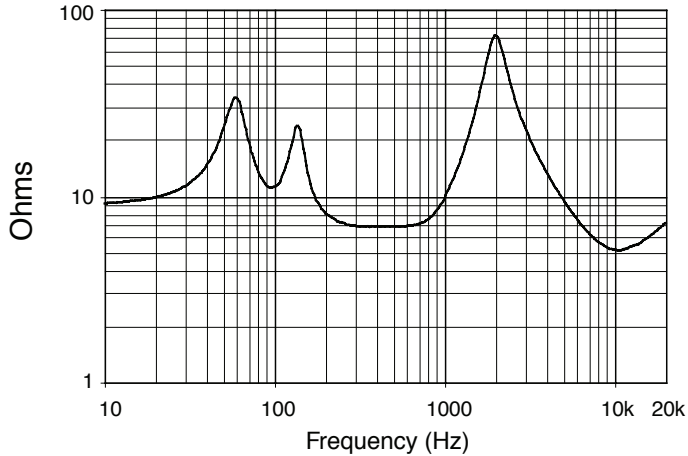
CF-4TX Black	0023523
CF-4TX White	0023524
CF-4LZ Black	0023517
CF-4LZ White	0023518



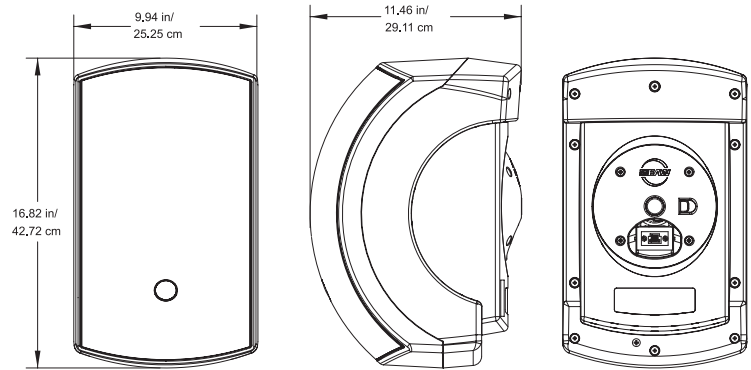
SMS4124

2-Way Surface Mounted Loudspeaker

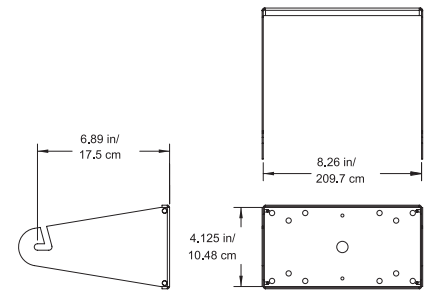
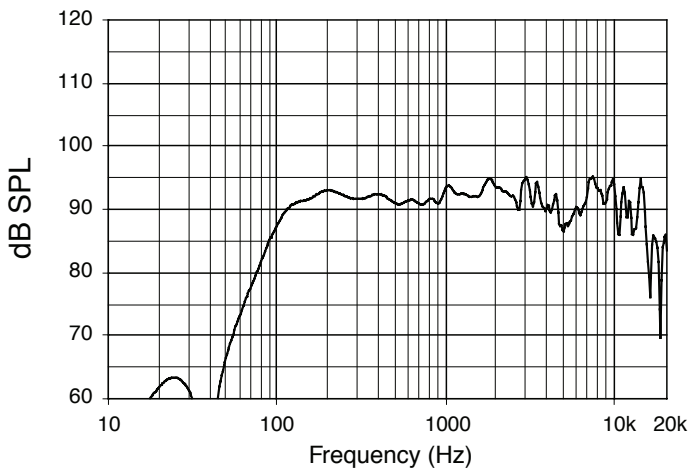
Impedance vs Frequency



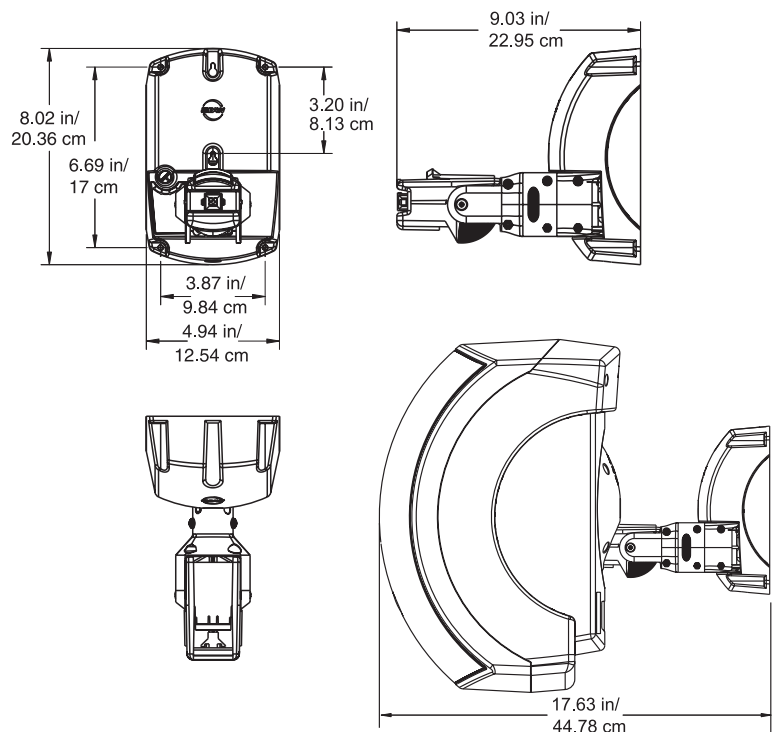
Dimensions



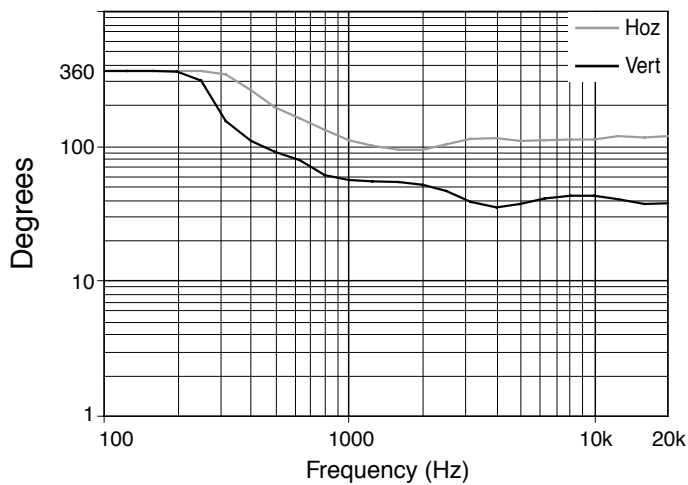
Axial Response vs Frequency



Clip-fit bracket dimensions:



Beamwidth vs Frequency



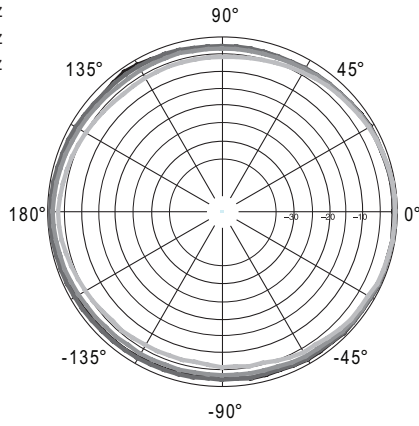


SMS4124

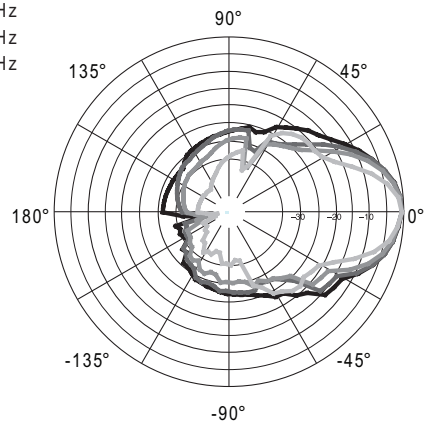
2-Way Surface Mounted Loudspeaker

SMS4124 Vertical Polar Diagrams

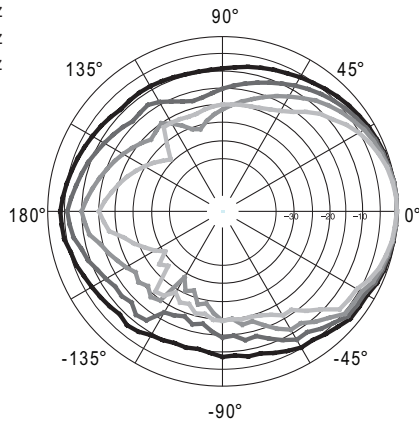
- 100 Hz
- 125 Hz
- 160 Hz
- 200 Hz



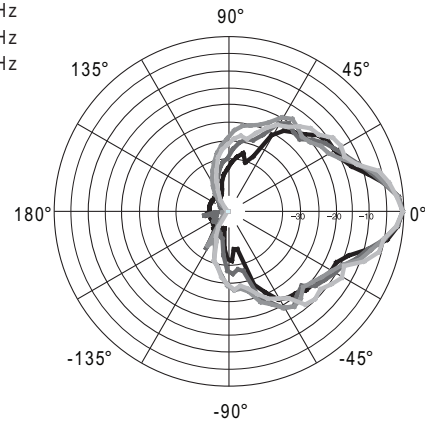
- 1600 Hz
- 2000 Hz
- 2500 Hz
- 3150 Hz



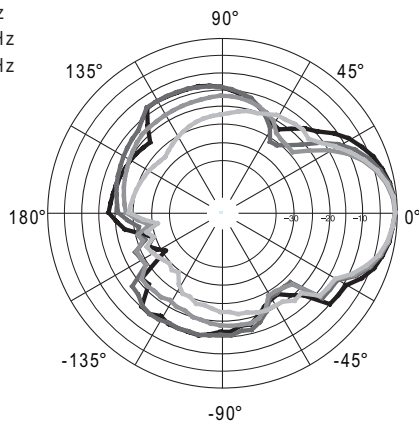
- 250 Hz
- 315 Hz
- 400 Hz
- 500 Hz



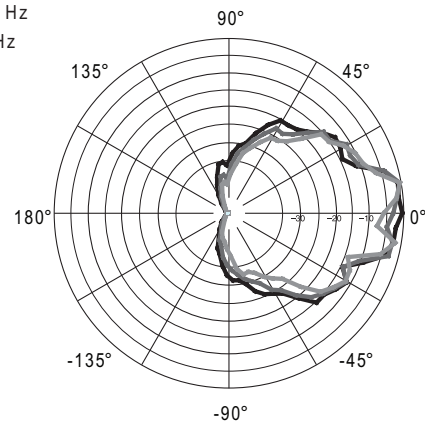
- 4000 Hz
- 5000 Hz
- 6300 Hz
- 8000 Hz



- 630 Hz
- 800 Hz
- 1000 Hz
- 1250 Hz



- 10000 Hz
- 12500 Hz
- 16000 Hz



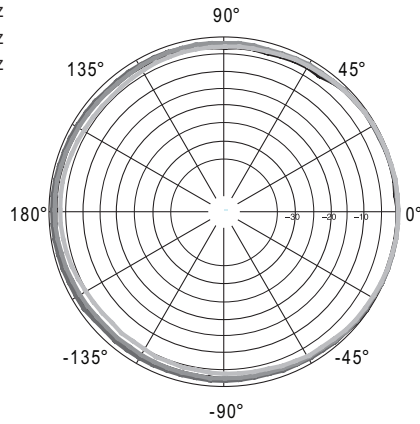


SMS4124

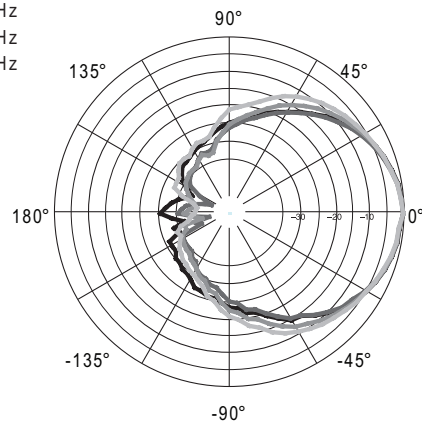
2-Way Surface Mounted Loudspeaker

SMS4124 Horizontal Polar Diagrams

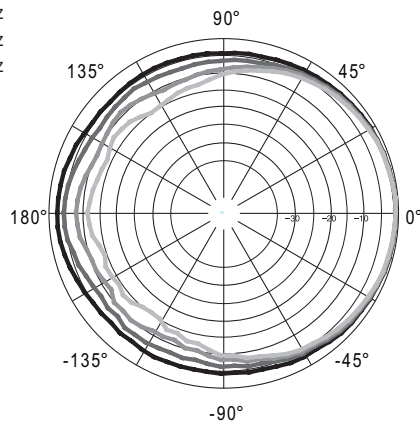
- 100 Hz
- 125 Hz
- 160 Hz
- 200 Hz



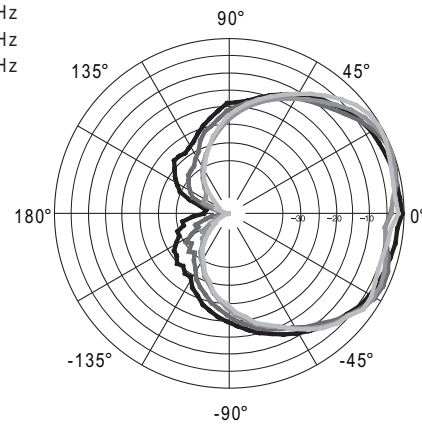
- 1600 Hz
- 2000 Hz
- 2500 Hz
- 3150 Hz



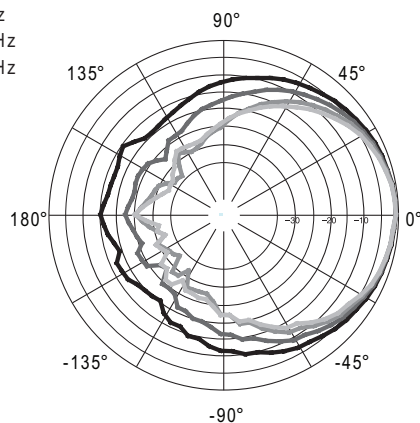
- 250 Hz
- 315 Hz
- 400 Hz
- 500 Hz



- 4000 Hz
- 5000 Hz
- 6300 Hz
- 8000 Hz



- 630 Hz
- 800 Hz
- 1000 Hz
- 1250 Hz



- 10000 Hz
- 12500 Hz
- 16000 Hz

