



**HIGH QUALITY CD RECORDER  
Records CDR - CDRW**



**HIGH QUALITY  
CD RECORDER  
Programmable  
Shuffle Play  
Music Calendar  
Rack Mountable**

**Rack Mounting  
Rack Shelf  
P4035/2B**

**General Information**

- ❑ **CD-R and CD-RW Digital Audio  
Record and Playback**
- ❑ **Digital or Analog Recording**
- ❑ **24 bit Analog to Digital  
to Analog Converters**
- ❑ **Automatic or Manual Track  
Division**
- ❑ **Fade in and Fade Out Recording**
- ❑ **Programmable Playback Modes  
Shuffle/PROGRAM**
- ❑ **Optical Digital Input**
- ❑ **Analog Inputs and Outputs**
- ❑ **Synchronous Digital  
Recording Function**
- ❑ **CD-RW Disc Erase Function**
- ❑ **Headphone Jack  
with Level Control**
- ❑ **High Luminosity Digital  
Fluorescent Display**
- ❑ **Infrared Remote Supplied**
- ❑ **Rack Mounting with Optional  
2U Rack Mounting Shelf P4035/2B**

**Specifications**

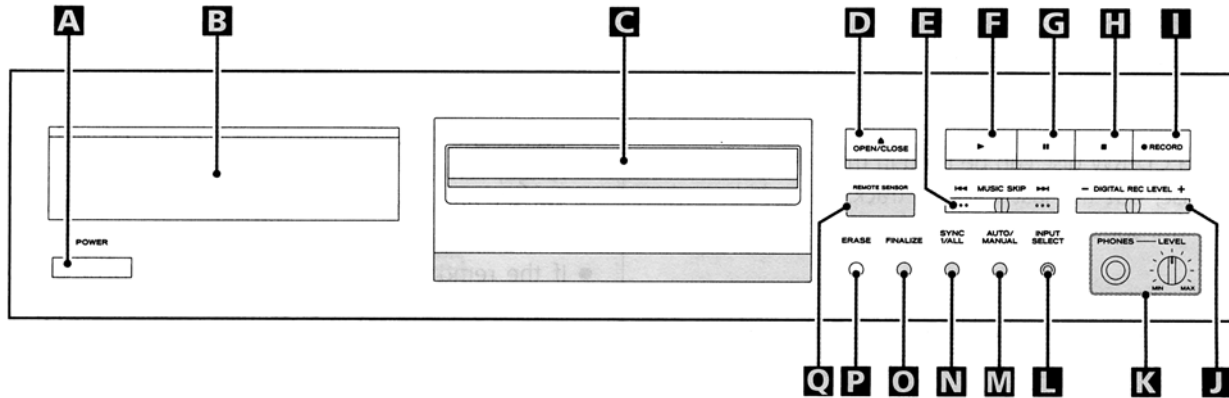
<b>Media Type:</b>	CD-RW and CD-R for Digital Audio (record and playback), CD (playback only)
<b>Converter Sampling Frequency:</b>	32kHz-48kHz
<b>Recording Sampling Frequency:</b>	44.1kHz
<b>Frequency Response:</b>	20Hz-20kHz - Playback ±0.5 dB, Recording ±1 dB
<b>Signal to Noise Ratio:</b>	>than 97 dB playback, >92 dB recording
<b>Dynamic Range:</b>	>than 92 dB playback, >86 dB recording
<b>Total Harmonic Distortion:</b>	: < than 0.01% playback, < 0.02% recording
<b>Wow and Flutter:</b>	Unmeasurable
<b>Audio Input Sensitivity and Impedance:</b>	LINE: -6dBV (0.5 V)/20K ohm
<b>Max. Input Level:</b>	+6dBV (2.0 V)
<b>Output Level/Impedance:</b>	LINE: -6 dBV (0.5 V)/1K ohm
<b>Maximum Output Level:</b>	LINE: +6dBV (2.0 V)
<b>Headphones Output:</b>	35 mW/32 ohm
<b>Random Programming:</b>	Playback: 32 Tracks
<b>Repeat Functions:</b>	Single Track Repeat, Single Disc Repeat, Programmed Tracks Repeat, Shuffle Play
<b>Power Requirement:</b>	120 V 50/60 Hz
<b>Power Consumption:</b>	16 W
<b>Dimensions:</b>	17 1/8" W., 4" H., 11 1/2" D. (435 X 102 X 295 mm)
<b>Finish:</b>	Matte Black
<b>Net Weight:</b>	10 Lb (4.5 Kg)
<b>Terminations:</b>	RCA Standard Jacks
<b>Remote Control:</b>	Infrared, Model RC 1037 Supplied
<b>Optional Accessories</b>	
<b>Rack Mounting:</b>	PASO 19" Rack Shelf (2 Units V.) Model P4035/2B (2U).

**PCDRW880**

*Engineering leadership in sound products since 1931*

**RV 1.0**

**FORM NT 247**



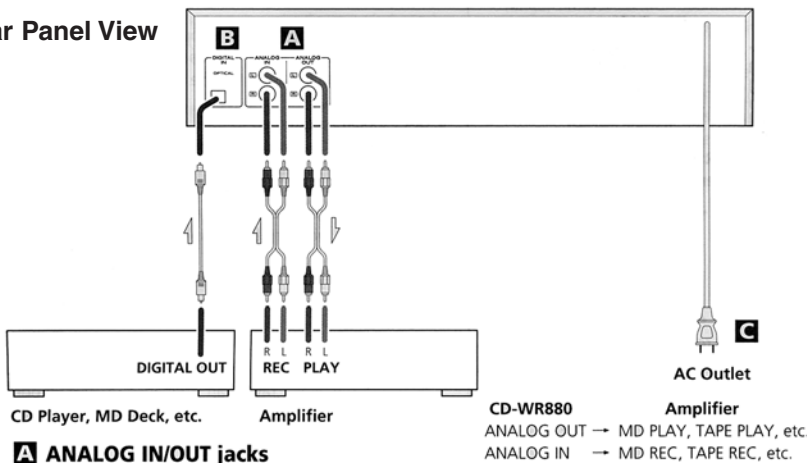
**Front Panel Controls**

- A POWER Switch
- B DISPLAY
- C Disc Tray
- D OPEN/CLOSE Disc Tray Button
- E MUSIC SKIP
- F PLAY BUTTON
- G PAUSE BUTTON
- H STOP BUTTON
- I RECORD Button
- J DIGITAL RECORD LEVEL
- K PHONES
- L INPUT SELECT
- M AUTO/MANUAL
- N SYNC 1/ALL
- O FINALIZE
- P ERASE
- Q REMOTE SENSOR

**Remote Control RC 1037**

- a POWER standby/on Button
- b Numeric Buttons
- c REPEAT (1/all, A-B)
- d SEARCH
- e TIME
- f PROGRAM
- g CLEAR
- h PROGRAM CHECK
- i SHUFFLE
- j MUSIC SKIP

**Rear Panel View**

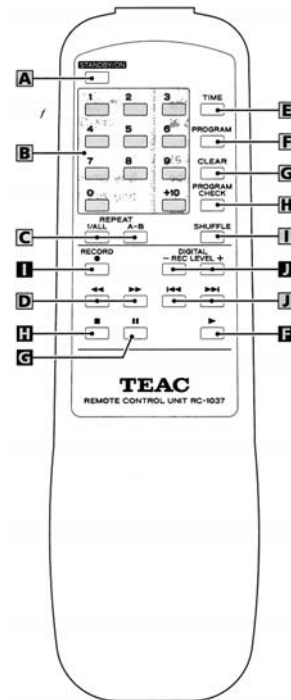


**A ANALOG IN/OUT jacks**

Analog 2-channel audio signal is input or output from these jacks. Connect these jacks to the amplifier with RCA cables.

**B DIGITAL IN terminal**

To record digital audio signals, connect this terminal to the digital output terminal of a digital device such as a CD player, MD deck, etc. with an optical digital cable.



**AUTHORIZED DISTRIBUTOR**

**PASO SOUND PRODUCTS, INC.**  
 4750F GOER DRIVE  
 CHARLESTON, SOUTH CAROLINA 29406-6511 USA  
 Phone: 843 308 9005 - Fax: 843 308 0904  
 EMAIL: info@pasosound.com - URL: www.pasosound.com  
 FORM NT 247 RV 1.0 Printed in USA

