



# F1100C-ZS

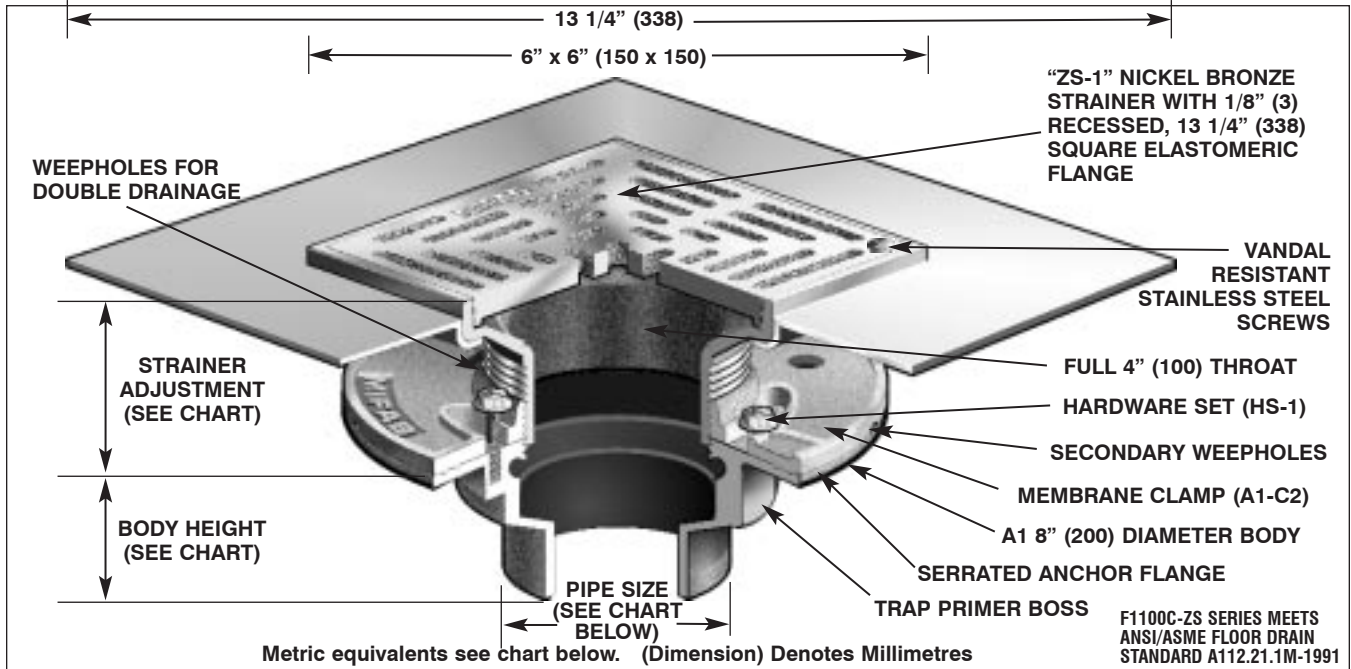
## FLOOR DRAIN WITH SQUARE STRAINER AND ELASTOMERIC FLANGE FOR MEMBRANE FLOOR AREAS

Internet address: www.mifab.com

Toll Free: 1-800-465-2736

Canada Toll Free: 1-800-387-3880

**SPECIFICATION:** MIFAB Series F1100C-ZS-1 lacquered cast iron floor drain with anchor flange and 1/8" (3) recessed, 13 1/4" (338) square elastomeric flange, cast iron membrane clamp ring with primary and secondary weepholes for waterproofing membrane, and standard reinforced 6" x 6" (150 x 150) square satin finished nickel bronze strainer. (For non-membrane floors, use MIFAB F1100-ZS Series).



STRAINER SIZE	STRAINER ADJUSTMENT		ANSI/ASME RATING		PIPE SIZE	NO HUB	BODY HEIGHT		INSIDE CAULK (X)
	MIN	MAX	FREE AREA	LOAD RATING N.B. (-1)			PUSH ON (P)	THREADED (T)	
6" x 6" (150 x 150)	2" (50)	3" (75)	12 in <sup>2</sup> (7700 <sup>2</sup> )	UP TO 2,000 LBS.	2" (50)	2 3/4" (70)	3 3/8" (86)	2 1/4" (57)	2 3/4" (70)
					3" (75)	2 3/4" (70)	3 3/8" (86)	2 5/8" (67)	2 3/4" (70)
					4" (100)	2 3/4" (70)	3 3/8" (86)	2 5/8" (67)	2 3/4" (70)
					6" (150)	3 1/4" (83)	—	—	—

**OPTIONAL VARIATIONS:**

- Nickel bronze
- Stainless steel strainer**
- 3M epoxy finish
- Sediment bucket
- Vandal proof
- Trap seal primer tapping
- Backwater valve
- Acid resistant epoxy coating
- All galvanized
- Extension
- Bronze body
- Stainless steel body (type 304)
- Stainless steel body (type 316)
- PVC socket connection body**

- suffix -1
- suffix -3
- suffix -3M
- suffix -5
- suffix -6
- suffix -7
- suffix -8
- suffix -11
- suffix -13
- suffix -15
- suffix -27
- suffix -28
- suffix -29
- suffix -30

- ABS socket connection body**
- Closure plug
- Deck clamp
- Sump receiver
- Threaded side outlet
- Client logo
- Clamp ring for low rough-in (min. 7/8" (22))
- 4" Round funnel
- 6" Round funnel
- Oval 4" x 9" funnel
- 6" x 3" x 1" funnel
- Push on outlet
- Threaded outlet
- Inside caulk outlet

- suffix -31
- suffix -34
- suffix -40
- suffix -41
- suffix -90
- suffix -95
- suffix C1
- suffix -F4
- suffix -F6
- suffix -G
- suffix -J
- suffix P
- suffix T
- suffix X

**PARTS:**



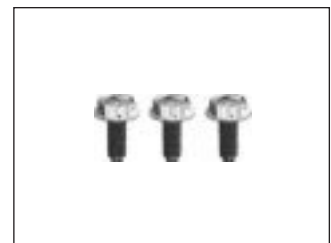
A1 BODY



ZS-1



A1-C2



HS-1