



F1440

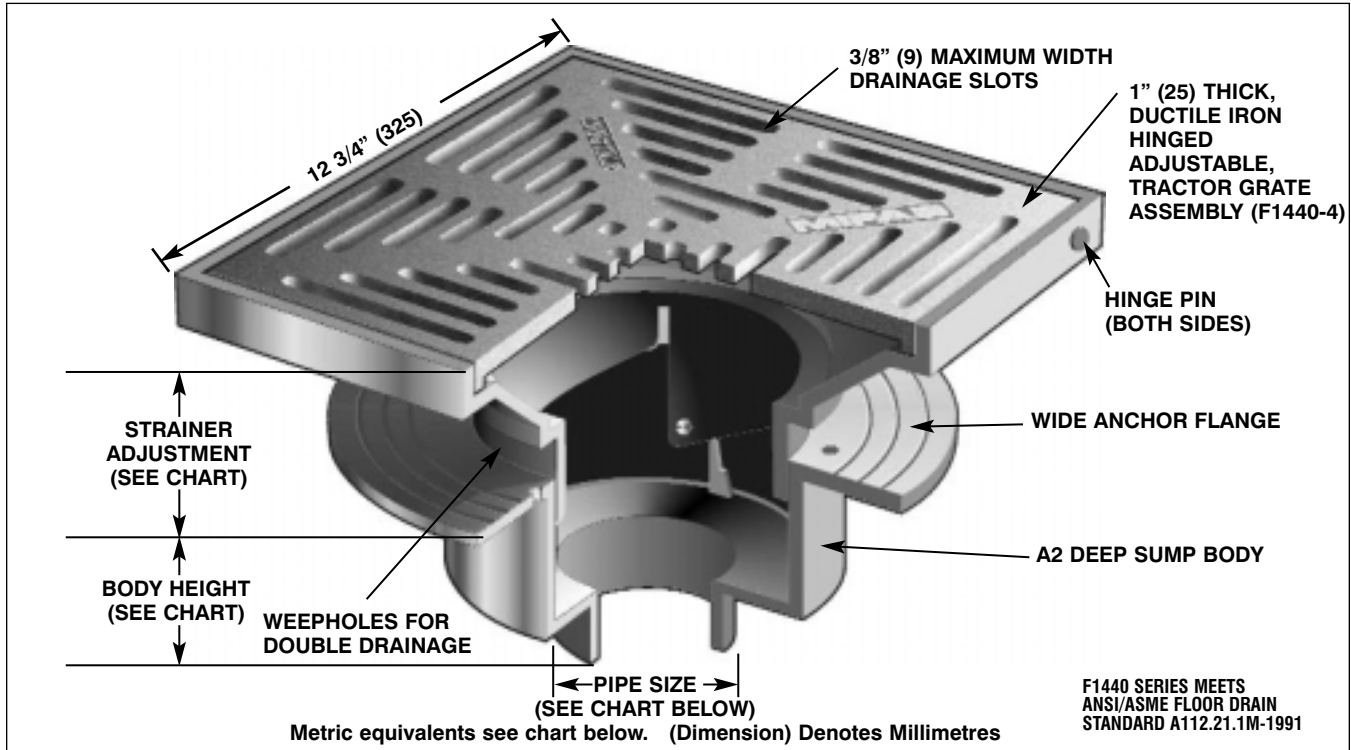
FLOOR DRAIN WITH 12" SQUARE ADJUSTABLE TRACTOR GRATE

Internet address: www.mifab.com

Toll Free: 1-800-465-2736

Canada Toll Free: 1-800-387-3880

SPECIFICATION: MIFAB Series F1440-4 lacquered cast iron deep sump floor drain with anchor flange, weepholes, and adjustable collar with standard 1" (25) thick, 12" (300) hinged square ductile iron tractor grate.



| STRAINER SIZE | STRAINER ADJUSTMENT | | ANSI/ASME RATING | | PIPE SIZE | BODY HEIGHT NO HUB | PUSH ON (P) |
|----------------------------|---------------------|--------------|--|--------------------|-----------|--------------------|--------------|
| | MIN | MAX | FREE AREA | LOAD RATING | | | |
| 12" x 12" (300) x (300) | 2 1/4" (57) | 4 1/8" (105) | 51 in. ² (32,903 ²) | ANSI/ASME | 2" (50) | 5 7/16" (138) | 6 1/8" (156) |
| | | | | LOAD CLASS | 3" (75) | 5 7/16" (138) | 6 1/8" (156) |
| | | | | "SPECIAL DUTY" | 4" (100) | 5 7/16" (138) | 6 1/8" (156) |
| | | | | (OVER 10,000 LBS.) | 6" (150) | 5 7/8" (149) | — |
| | | | | | 8" (200) | 5 7/8" (149) | — |

OPTIONAL VARIATIONS:

- Nickel bronze (vener)
- Stainless steel (vener)**
- 3M epoxy finish
- Ductile iron grate (standard)
- Sediment bucket
- Vandal proof
- Trap seal primer tapping
- Backwater valve
- Acid resistant epoxy coating
- Galvanized grate and frame
- All galvanized
- Extension

- suffix -1
- suffix -3
- suffix -3M
- suffix -4
- suffix -5
- suffix -6
- suffix -7
- suffix -8
- suffix -11
- suffix -12
- suffix -13
- suffix -15

- Secondary dome
- Secondary strainer
- Hinged locking grate
- Bronze body
- Stainless steel body (type 304)
- Stainless steel body (type 316)
- PVC socket connection body**
- ABS socket connection body**
- Closure plug
- Bronze mesh bucket
- Deck clamp
- Sump receiver
- Lacquered cast iron funnels
- Threaded side outlet
- Client logo
- Membrane clamp
- Round 4" funnel
- Round 6" funnel
- Oval 4" x 9" funnel
- 6" x 3" x 1" funnel
- Push on outlet
- Shallow body
- Threaded outlet
- Inside caulk outlet
- Non adjustable top
- Elastomeric flange

- suffix -20
- suffix -21
- suffix -26
- suffix -27
- suffix -28
- suffix -29
- suffix -30
- suffix -31
- suffix -34
- suffix -35
- suffix -40
- suffix -41
- suffix -50
- suffix -90
- suffix -95
- suffix C
- suffix -F4
- suffix -F6
- suffix -G
- suffix -J
- suffix P
- suffix Q
- suffix T
- suffix X
- suffix -Y
- suffix -Z

PARTS:



A2 BODY



F1440-4