

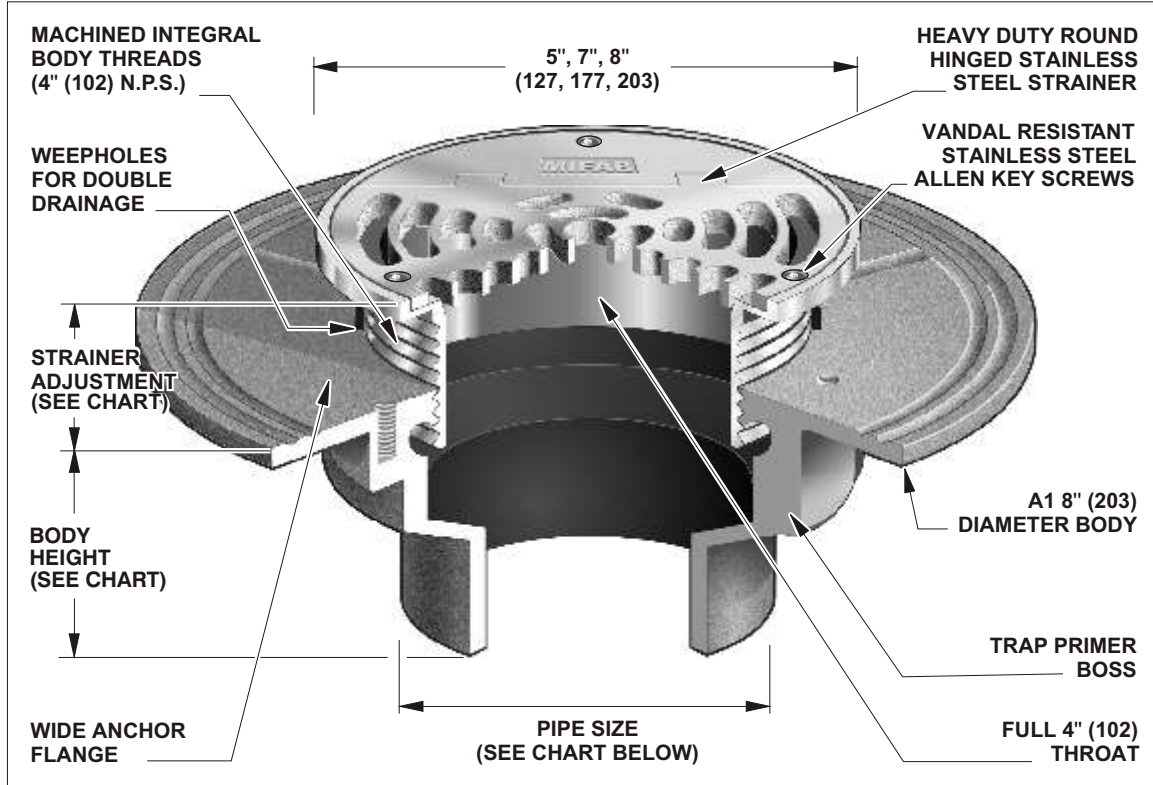


F1100-HG

FLOOR DRAIN WITH ROUND HINGED STRAINER FOR NON-MEMBRANE FLOOR AREAS

Specification: MIFAB® Series F1100-(*)HG-3 (* specify strainer diameter) lacquered cast iron floor drain with anchor flange, weepholes, and hinged heavy duty, polished stainless steel strainer. (For membrane floors, add -C to Series number).

Function: Used in showers, kitchens, restrooms and other non-membrane finished areas. Hinged grate ensures that grate is not lost during maintenance. Round adjustable stainless steel hinged strainer is used for all types of poured finished floors. Strainer will not dish or corrode and is foot friendly.



PARTS:



A1 BODY



(*) Denotes STR. Size

F1100-HG Series meets ANSI/ASME floor drain standard A112.6.3-2001

STRAINER DIAMETER	STRAINER ADJUSTMENT		ANSI/ASME RATING		PIPE SIZE	BODY HEIGHT				
	MIN	MAX	FREE AREA	LOAD RATING LBS. S.S. (-3)		NO HUB (STANDARD)	PUSH ON (P)	THREADED (T)	INSIDE CAULK (X)	PVC/ABS (-30)/(-31)
5" (127)	1/2" (13)	1 1/2" (38)	8 in ² (5200 ²)	5000 to 7499	2" (51)	2 3/4" (70)	3 3/8" (86)	2 1/4" (57)	3 3/4" (95)	2 15/16" (75)
7" (177)	9/16" (14)	1 9/16" (40)	12 in ² (7700 ²)	5000 to 7499	3" (76)	2 3/4" (70)	3 3/8" (86)	2 5/8" (67)	3 3/4" (95)	3 3/4" (95)
8" (203)	11/16" (40)	2 1/4" (57)	18 in ² (11600 ²)	5000 to 7499	4" (102)	2 3/4" (70)	3 3/8" (86)	2 5/8" (67)	3 3/4" (95)	3 3/4" (95)
					5" (127)	2 3/4" (70)	—	2 5/8" (67)	3 3/4" (95)	—
					6" (152)	3 1/4" (83)	4 3/4" (121)	—	—	—

OPTIONAL VARIATIONS:		SUFFIX	SUFFIX		SUFFIX
<input type="checkbox"/>	Stainless steel strainer (standard)	-3	<input type="checkbox"/>	PVC socket connection body	-30
<input type="checkbox"/>	3M epoxy finish	-3M	<input type="checkbox"/>	ABS socket connection body	-31
<input type="checkbox"/>	Sediment bucket	-5	<input type="checkbox"/>	Closure plug	-34
<input type="checkbox"/>	Security screws (T-20 torx & pin)	-6	<input type="checkbox"/>	Underdeck clamp	-40
<input type="checkbox"/>	Trap seal primer tapping	-7	<input type="checkbox"/>	Sump receiver	-41
<input type="checkbox"/>	Backwater valve	-8	<input type="checkbox"/>	Chrome plated strainer assembly	-49
<input type="checkbox"/>	Acid resistant epoxy coating	-11	<input type="checkbox"/>	Threaded side outlet	-90
<input type="checkbox"/>	All galvanized	-13	<input type="checkbox"/>	Client logo	-95
<input type="checkbox"/>	Extension	-15	<input type="checkbox"/>	4" Round funnel	-F4
<input type="checkbox"/>	Secondary flat strainer	-21	<input type="checkbox"/>	6" Round funnel	-F6
<input type="checkbox"/>	Stainless steel body (type 304)	-28	<input type="checkbox"/>	Oval 4" x 9" funnel	-G
<input type="checkbox"/>	Stainless steel body (type 316)	-29	<input type="checkbox"/>	6" x 3" x 1" funnel	-J
<input type="checkbox"/>			<input type="checkbox"/>	No hub outlet	(Standard)
			<input type="checkbox"/>	Push on outlet	P
			<input type="checkbox"/>	Threaded outlet	T
			<input type="checkbox"/>	Inside caulk outlet	X
			<input type="checkbox"/>	Extended wide elastomeric flange	-Z

Job Name _____ Page No: _____
 Section No: _____ Contractor _____
 Schedule No: _____ Purchase Order No: _____