

The Intelix VGA-SR-F balun passively transmits VGA video up to 450 feet over unshielded twisted pair cabling, such as Cat 5 or Cat 5e. Both the send and receive balun feature grounding screws and sync reset switches for added functionality. The VGA-SR-F eliminates costly and bulky VGA cable, connecting video sources and destinations over extended distances.



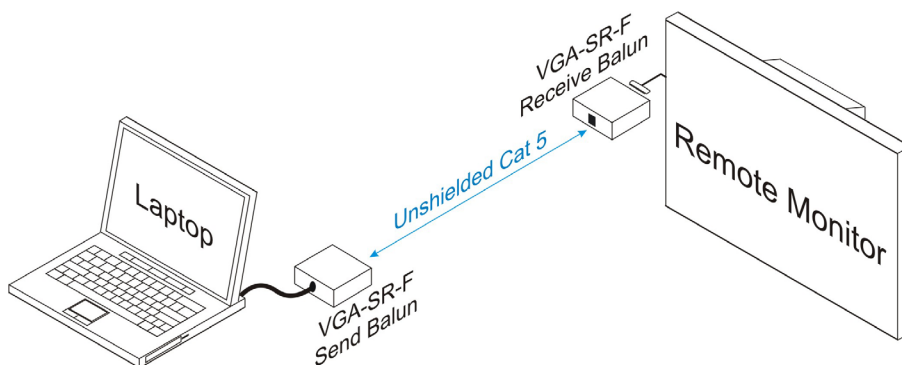
The VGA-SR-F is ideal for education, government, house of worship, corporate, residential, and any other application requiring extended VGA video distribution.

Technical Specifications

Maximum Distance*	VGA (640x480 pixels): 450 feet SVGA (800x600 pixels): 350 feet XGA (1024x768 pixels): 250 feet SXGA (1280x1024 pixels): 200 feet	RJ45 Pinout	Pins 1 and 2: Red (balanced) Pins 4 and 5: Green (balanced) Pins 7 and 8: Blue (unbalanced) Pins 3 and 6: Horizontal and vertical sync (unbalanced)
Input Signal	Video: 1.1 Vp-p Sync: TTL standard; 300 kHz max	Unshielded Twisted Pair Cabling Specifications (24 gauge or lower solid copper)	Maximum capacitance: 20 pf/foot Impedance: 100 ohms @ 1 MHz Attenuation: 6.6 dB/1000 ft. @ 1 MHz <i>Cat 5, Cat 5e, Cat 6, Cat 7 compatible</i>
Bandwidth (3 dB)	DC to 60 MHz	Temperature	Operating: 32 to 131 F (0 to 55 C) Storage: -4 to 185 F (-20 to 85 C) Humidity: up to 95%
Insertion Loss	<3 dB per pair over the frequency range	Dimensions	2.40" x 2.25" x 1.00"
Return Loss	-15 dB maximum from DC to 60 MHz	Weight	0.07 lbs (1.05 oz)
Common Mode Rejection	15 kHz: -60 dB maximum 100 kHz to 10 MHz: -40 dB maximum 100 MHz: -20 dB maximum	Mounting	Velcro mounting pad included; compatible with Intelix AVO-CLIP and DIN-RACK-KIT 19" rack tray
Impedance	Input: RGB 75 ohms Output: RGB 100 ohms	Ordering Information	<i>VGA-SR-F</i> : includes both send and receive balun in bulk packaging <i>VGA-SR-PAC-F</i> : includes both send and receive balun in retail packaging
Connectors	Send: One DB15 plug with 6" lead to one shielded RJ45 Receive: One DB15 plug to one shielded RJ45	Warranty	Two years
Grounding	Grounding screw for optional use		
Diagnostics	Reset switch for optional use		
Enclosure	ABS fire retardant black plastic		

*Distances and picture quality may be affected by cable grade, cable quality, source and destination equipment, RF and electrical interference, and cable patches. Intelix specifications are based on straight-through cabling with standard-grade Cat 5.

NOTE: Monitor sensitivity rates vary. The VGA-SR-F may experience a 2-3 second delay before the image appears correctly. For this reason, the VGA-SR-F is not recommended for use with video switchers.



System Example: An Intelix VGA-SR-F connects a laptop to a remote monitor over standard unshielded Cat 5 cable.

