

# TEAC®

## 100 WATT AM/FM STEREO Digital Receiver with Remote



**AM - FM  
STEREO  
RECEIVER  
Fluorescent  
Display  
PLL Synthesized  
Precision Tuning**

**Rack Mount Kit  
Model PRM 2100**

### General Information

- ❑ **PLL Quartz Synthesized Tuning System**
- ❑ **AM - FM STEREO and Mono**
- ❑ **5-Inputs: Tuner - CD - Tape Phono - Aux**
- ❑ **Tape Monitor Output**
- ❑ **30 Station Presets**
- ❑ **Stereo/Mono Switch on FM**
- ❑ **• Multi Color Fluorescent Digital Display**
- ❑ **VCR Audio Input**
- ❑ **Front Panel Headphone Output**
- ❑ **Digital JOG Control for: Volume, Bass, Treble, Balance**
- ❑ **SLEEP Timer Function**
- ❑ **MUTING Function on Remote**
- ❑ **A + B Speaker Switches**
- ❑ **Loudness Contour Button**
- ❑ **Multifunction Remote Control**
- ❑ **Environmental Music Systems**
- ❑ **Background Music Systems**
- ❑ **Foreground Music Systems**

### Specifications

#### AMPLIFIER SECTION

**Power Output:** 50 Watt RMS per Channel (Total 100 Watts)

**T.H.D.:** 0.05%

**Frequency Response:** 20 - 30,000 Hz ± 3 db

**Signal to Noise Ratio:** PHONO: 70 db (IHF-A)  
LINE: 90 db (IHF-A)

**JOG Control:** Volume, Bass, Treble, Balance

**Inputs Sensitivity/Z:** PHONO: 5 mV  
Impedance: 22 K ohm  
CD, VIDEO, AUX, TAPE: 220 mV  
Impedance: 2 K ohm

**Switches:** Loudness, FM Stereo/Mono

**Headphones Output:** 8 ohm

**Color Finish:** Matte' Black

#### FM SECTION

**FM Tuning Range:** 87.5 - 108.0 Mhz

**Tuning System:** Precision PLL Quartz Synthesized

**FM Usable Sensitivity IHF:** Mono 15 dbf

**50 db Quieting Sensitivity:** MONO: 23 dbf, STEREO: 40 dbf

**Capture Ratio:** 2.0 db

**Stereo Separation (1 KHz):** 40 db

**THD:** MONO: 0.4%, STEREO: 0.5%

#### AM SECTION

**Tuning Range:** 520 - 1720 Khz (10 Khz Steps)

**THD:** 1.5% at 85 db/m

**Signal to Noise Ratio:** 35 db at 85 db/m

**Power Requirement:** 120 VAC 50-60 Hz

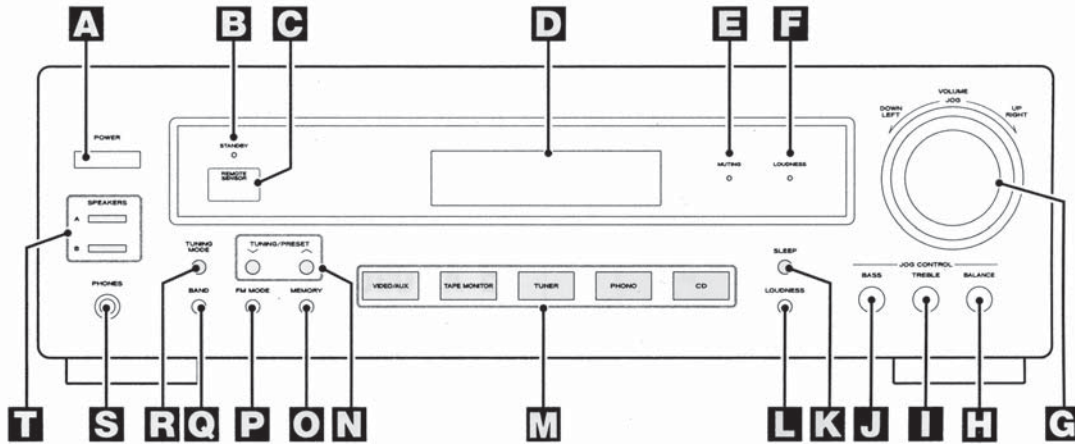
**Power Consumption:** 2.5 A

**Dimensions:** 17 1/8" W., 5 1/4" H., 12.2" D.  
(435 x 130 x 310 mm)

**Net Weight:** 22 Lb. (9.6 Kg)

**PAGG790**

*Engineering leadership in sound products since 1931*

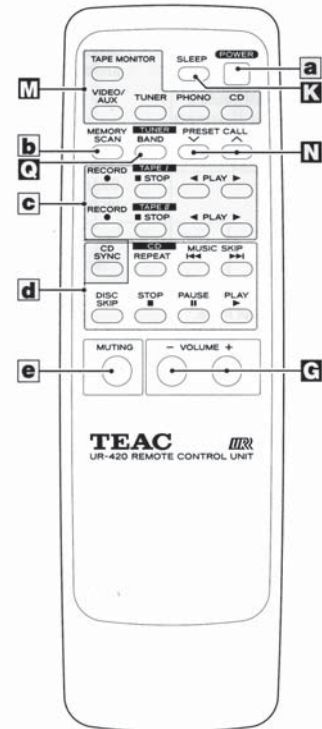
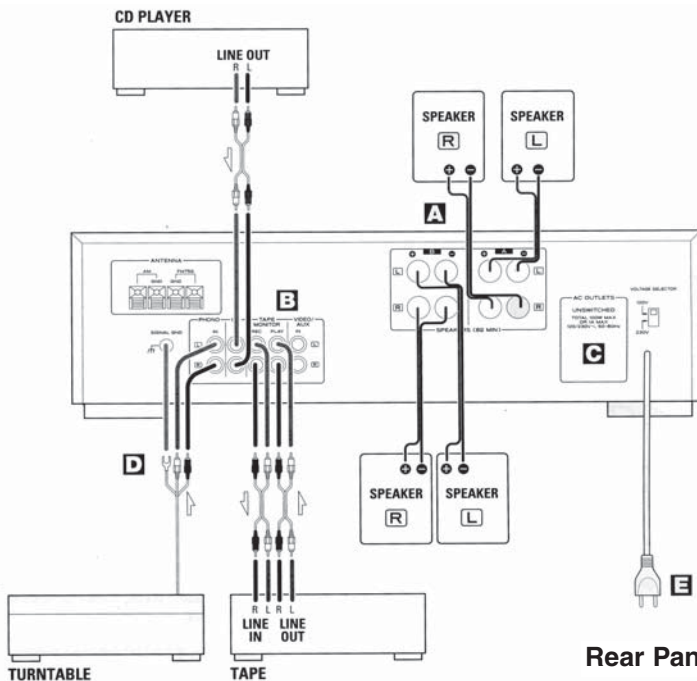


Front Panel Controls

- A POWER Switch
- B STANDBY Indicator
- C REMOTE Sensor
- D DISPLAY
- E MUTING Indicator
- F LOUDNESS Indicator
- G VOLUME/JOG
- H BALANCE Control
- I TREBLE Button
- J BASS Button
- K SLEEP Button
- L LOUDNESS Button
- M INPUT Selectors CD, PHONO, TUNER, TAPE MONITOR, VIDEO/AUX
- N TUNING/PRESET Button
- O MEMORY Button
- P FM MODE Button
- Q BAND Button
- R TUNING MODE Button
- S PHONES Jack
- T SPEAKERS Button,

Remote Control UR-420

- a POWER standby/on Button
- b MEMORY SCAN Button
- c TAPE Operation Button
- d CD Operation Button
- e MUTING Button



since 1931

AUTHORIZED DISTRIBUTOR

PASO SOUND PRODUCTS, INC.  
 4750F GOER DRIVE  
 CHARLESTON, SOUTH CAROLINA 29406-6511 USA  
 Phone: 843 308 9005 - Fax: 843 308 0904  
 EMAIL: info@pasosound.com - URL: www.pasosound.com

FORM NT 254 RV 1.5 Printed in USA