

Video Cable - CATV/MATV

Coax - Quad (Four) Shielded

- UL Listed NEC Type CM
- Solid Copper Clad Steel Center Conductor
- Foamed Polyethylene Dielectric
- PVC Jacket, White
- 75 Ohm



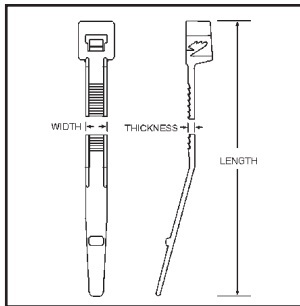
HomeTRAX™ Video Cable - CATV/MATV

Part #	AWG Center Conductor	NOM OD Dielectric (Inches)	Shield Construction	NOM Jacket (Inches)	NOM OD (Inches)	NOM Capacitance (Pf/ft)	NOM Velocity of Propagation	NOM Attenuation (MHz)	NOM Attenuation (db/100m)
RG6-QUAD-HT	18 Solid CCS	.180 FPE	2 Foils + 60% AL 40% AL Braid	.026 FR-PVC	.288	16.2	82%	5	2.66
								55	5.25
								250	11.02
								400	14.11
								500	15.88
								600	17.52
750	19.69								
870	21.33								
1000	22.97								

Works Flawlessly With
COAXMASTER
Perfect terminations in
less than one minute!
SEE PAGE 13

Cable Ties

Standard Cable Ties

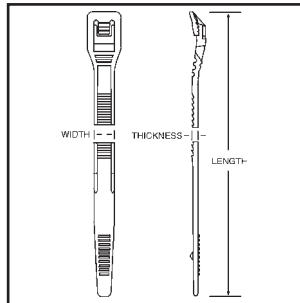


Available in multiple colors!

Part #	Inches	PVC/Plenum
CT-4	4	PVC
CT-8	8	PVC
CT-11	11	PVC
CT-14	14	PVC
CT-P-4	4	Plenum
CT-P-8	8	Plenum
CT-P-11	11	Plenum
CT-P-14	14	Plenum

A MUST HAVE!

Low Profile Cable Ties



Available in Natural and UV Black!

- **Reduced Head Height** compared to standard head designs.
- **Round Edges** and low profile design eliminates cuts or abrasions to wires, cables, products, and users.

Part #	Inches	PVC
LPCTB-7.5	7.5	PVC, Black
LPCT-7.5	7.5	PVC, Natural

Don't Buy WIRE

libertycable.com

CALL TODAY TO PLACE YOUR ORDER

**MAKE MORE MONEY WITH LIBERTY
SELL IT!**



800-530-8998
MOST ORDERS SHIP SAME DAY