



F1460

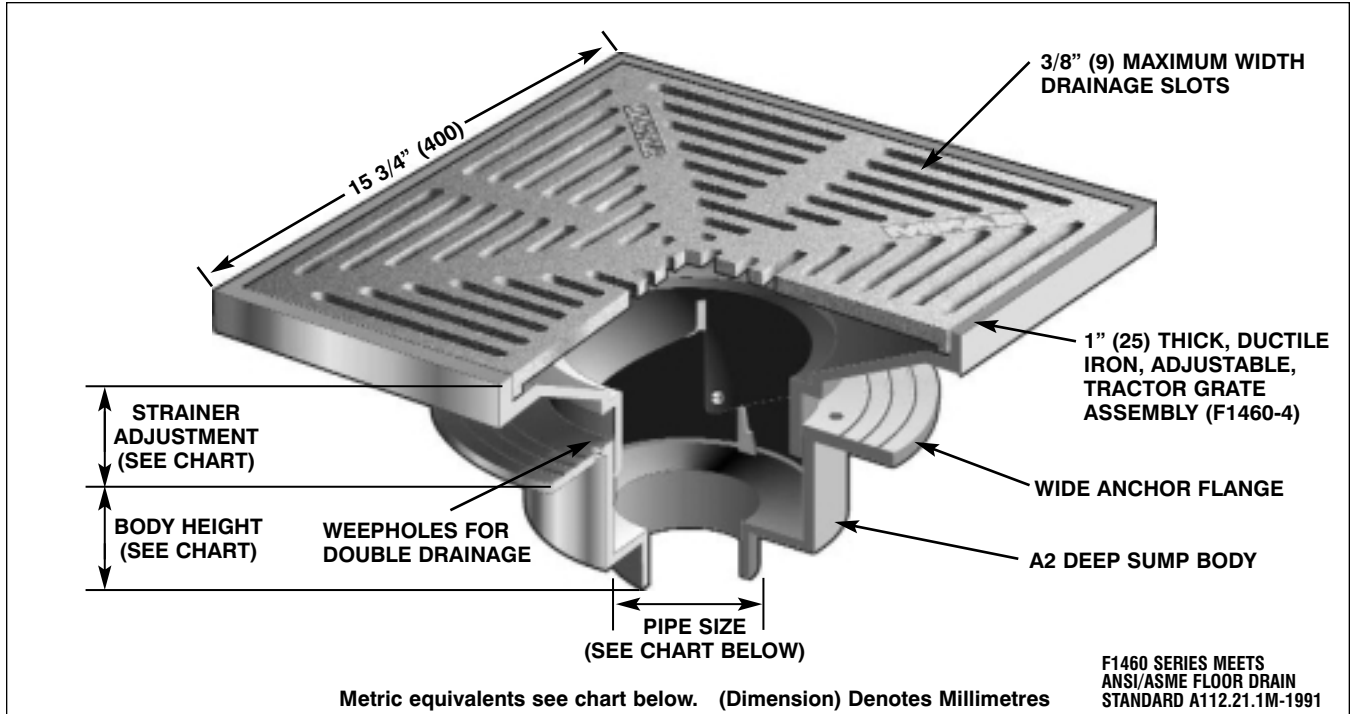
FLOOR DRAIN WITH 15" SQUARE ADJUSTABLE TRACTOR GRATE

Internet address: www.mifab.com

Toll Free: 1-800-465-2736

Canada Toll Free: 1-800-387-3880

SPECIFICATION: MIFAB Series F1460-4 lacquered cast iron deep sump floor drain with anchor flange, weepholes, and adjustable collar with standard 1" (25) thick, 15" (380) square ductile iron tractor grate.



Metric equivalents see chart below. (Dimension) Denotes Millimetres

F1460 SERIES MEETS ANSI/ASME FLOOR DRAIN STANDARD A112.21.1M-1991

STRAINER SIZE	STRAINER ADJUSTMENT		ANSI/ASME RATING		PIPE SIZE	BODY HEIGHT NO HUB	PUSH ON (P)
	MIN	MAX	FREE AREA	LOAD RATING			
15" x 15" (380) x (380)	2" (50)	4" (100)	80 in. ² (51,613 ²)	ANSI/ASME	2" (50)	5 7/16" (138)	6 1/8" (156)
				LOAD CLASS	3" (75)	5 7/16" (138)	6 1/8" (156)
				"SPECIAL DUTY"	4" (100)	5 7/16" (138)	6 1/8" (156)
				(OVER 10,000 LBS.)	6" (150)	5 7/8" (149)	—
					8" (200)	5 7/8" (149)	—

OPTIONAL VARIATIONS:

- Nickel bronze (vener)
- Stainless steel (vener)**
- 3M epoxy finish
- Ductile iron grate (standard)
- Sediment bucket
- Vandal proof
- Trap seal primer tapping
- Backwater valve
- Acid resistant epoxy coating
- Galvanized grate and frame
- All galvanized
- Non tilt grate
- Extension

- suffix -1
- suffix -3
- suffix -3M
- suffix -4
- suffix -5
- suffix -6
- suffix -7
- suffix -8
- suffix -11
- suffix -12
- suffix -13
- suffix -14
- suffix -15

- Secondary dome
- Secondary strainer
- Chained grate
- Hinged locking grate
- Bronze body
- Stainless steel body (type 304)
- Stainless steel body (type 316)
- PVC socket connection body**
- ABS socket connection body**
- Closure plug
- Bronze mesh bucket
- Deck clamp
- Sump receiver
- Lacquered cast iron funnels
- Threaded side outlet
- Client logo
- Membrane clamp
- Round 4" funnel
- Round 6" funnel
- Oval 4" x 9" funnel
- 6" x 3" x 1" funnel
- Push on outlet
- Threaded outlet
- Inside caulk outlet
- Non adjustable top
- Elastomeric flange

- suffix -20
- suffix -21
- suffix -23
- suffix -26
- suffix -27
- suffix -28
- suffix -29
- suffix -30
- suffix -31
- suffix -34
- suffix -35
- suffix -40
- suffix -41
- suffix -50
- suffix -90
- suffix -95
- suffix C
- suffix -F4
- suffix -F6
- suffix -G
- suffix -J
- suffix P
- suffix T
- suffix X
- suffix -Y
- suffix -Z

PARTS:



A2 BODY



F1460-4