

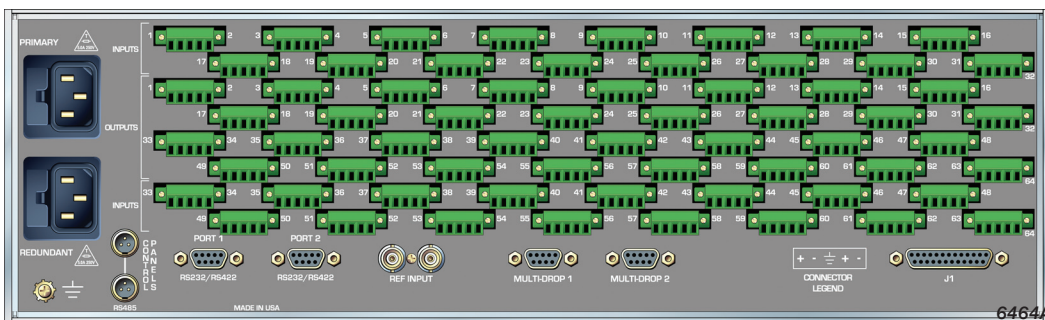
YOSEMITE™ Analog Audio - 6464A

64 x 64 analog audio routing switcher

Features:

The Yosemite analog audio frames populate in increments of 32 on both the inputs and outputs, and come in two compact sizes: 3RU and 5RU. These frames can be configured to be either mono or stereo and are set at the factory. For example, the 3RU frame can be ordered to be either a 64x64 mono audio router or a 32x32 stereo router. When in the stereo mode, each channel is independently switchable.

The Yosemite analog audio routers have adjustable audio gain and attenuation on each channel, on both the inputs and the outputs, and redundant power supplies are standard. For stand alone audio switching (i.e. without a video level) a serial control module must be ordered with the frame (P/N 504001).



Yosemite 6464A or 3232AA

64 x 64 analog audio routing switcher

- 1 - 6464A (3RU) frame
- 2 - 32 channel input buffers
- 2 - 128 x 32 analog audio crosspoint submodules

Yosemite 3232A

32 x 32 analog audio routing switcher

- 1 - 6464A (3RU) frame
- 1 - 32 channel input buffers
- 1 - 128 x 32 analog audio crosspoint submodule

Optional Configurations:

- Yosemite 3264A
- Yosemite 6432A
- Yosemite 3232S

Options for 6464A Systems:

Serial control module for stand-alone operation

order one 504001

-  Control
-  Specifications

Page 117

Page 100



YOSEMITE