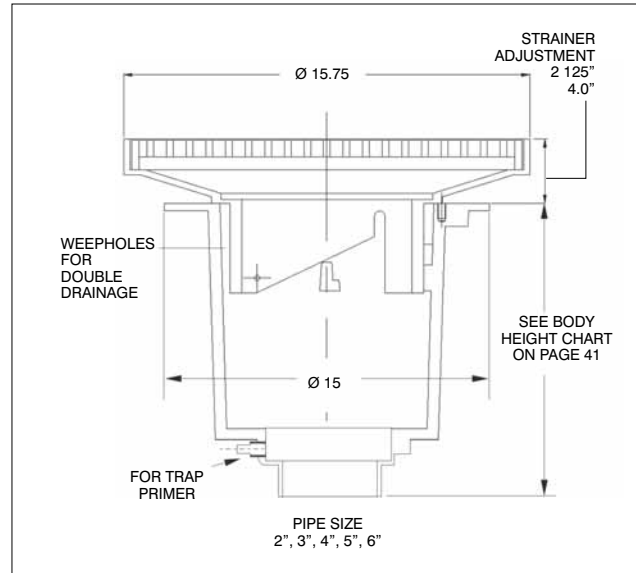
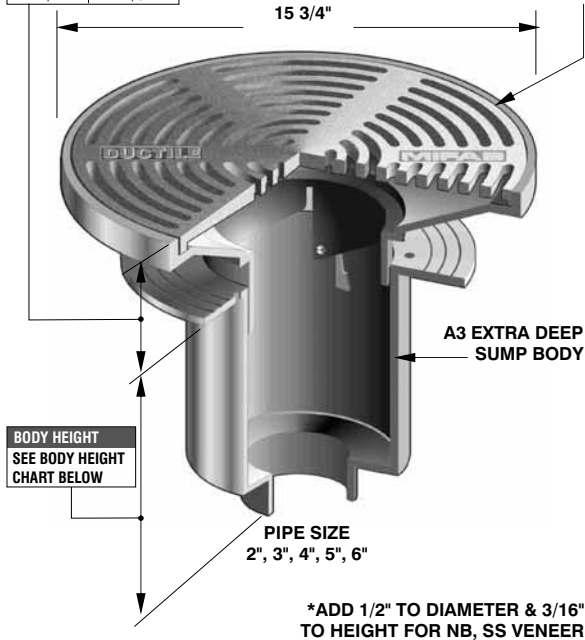


F1370 SERIES AREA DRAIN W/15" ROUND ADJ. HEAVY DUTY TRACTOR GRATE & EXTRA DEEP SUMP F1370 SERIES

AREA DRAINS

STRAINER ADJUSTMENT	
MIN	MAX
2 1/4"	4 1/8"



PARTS	A3 BODY	F1360-TA-(*)

(*) Denotes strainer finish (-1, -3 or -4)

AREA DRAIN WITH 15" ROUND ADJUSTABLE HEAVY DUTY TRACTOR GRATE & EXTRA DEEP SUMP					
MODEL NUMBER	WT. Lbs	STRAINER DESCRIPTION	LIST PRICE LACQUERED CAST IRON BODY WITH:		
			DUCTILE IRON (-4)	NICKEL BRONZE (VENEER) (-1)	STAINLESS STEEL (VENEER) (-3)
F1372,3,4,6	64.00	15" Dia. Adj. tractor grate	\$1667.00	\$3037.00	\$3037.00
F1372,3,4,6-Y	64.00	15" Dia. Non-Adj. tractor grate	\$1599.00	\$2970.00	\$2970.00
F1372,3,4,6-Y-14	64.00	15" Dia. Non-Adj. flat grate	\$1388.00	\$2756.00	\$2756.00

WHEN A MEMBRANE CLAMP IS REQUIRED, ADD SUFFIX (-C), NO ADD.

F1370 OPTIONAL VARIATIONS:					
SUFFIX	DESCRIPTION	LIST PRICE	SUFFIX	DESCRIPTION	LIST PRICE
-5	Sediment bucket (A2-MB)	\$ 124.00	-35	SS mesh over bucket	P.O.A.
-6	Vandal proof secured grate (TR30 Torx and pin)	\$ 106.00	-40	Underdeck clamp (A2-C3)	\$124.00
-7	Trap seal primer tapping	\$ 77.00	-41	Sump receiver (A2-BP)	\$139.00
-8	Backwater valve (BV1250 Series)(2", 3", 4")	\$ 195.00	-90	Threaded side outlet	\$190.00
-11	Acid resistant epoxy coating (Min. order 25 pcs. or P.O.A)	\$1014.00	-C	Membrane clamp (A2-C3)	No Add
-12	Galvanized top assembly (Min. order 25 pcs. or P.O.A)	\$ 274.00	-F4-(1,3)	4" NB or SS round funnel	\$218.00
-13	All galvanized (Min. order 25 pcs. or P.O.A)	\$1014.00	-F4-50	4" cast iron round funnel	\$ 91.00
-15	Extension (per 2") (A2-XY)	\$ 124.00	-F6-(1,3)	6" NB or SS round funnel	\$325.00
-16	Square top	See F1470 series	-F6-50	6" cast iron round funnel	\$147.00
-17	with trap and cleanout (see MI-OS Series)	(See MI-OS)	-G-(1,3)	4" x 9" NB or SS oval funnel	\$454.00
-18	with trap and oil cone and cleanout (see MI-OS Series)	(See MI-OS)	-G-50	4" x 9" Cast iron oval funnel	\$218.00
-20	Secondary dome strainer (FS1500-PD)	\$ 76.00	-J-(1,3)	3" x 1" NB or SS oval funnel	P.O.A.
-21	Secondary flat strainer (FD-9600 Series)	\$ 31.00	-J-50	3" x 1" cast iron oval funnel	P.O.A.
-28	Stainless Steel Body (Type 304) (2", 2", 4" No Hub only)	P.O.A.	P	Push on outlet (2", 3" or 4")	No Add
-30	PVC Socket Connection Body* (2", 3" or 4")	No Add	T	Threaded outlet (2", 3" or 4")	\$ 40.00
-31	ABS Socket Connection Body* (2", 3" or 4")	No Add	X	Inside caulk outlet (2", 3" or 4")	No Add
-32	2", 3", 4" Integral deep seal trap (MI-950 Series)	\$ 226.00	-Z	Extended wide elastomeric flange (20" dia. x 1/4" thick)	P.O.A.
-34	Closure plug (C1440 Series)	\$ 187.00			

*PVC/ABS Socket bodies available for 2", 3" or 4" connection sizes



BODY HEIGHT A3 BODY BASED DRAINS					
PIPE SIZE	NO HUB STANDARD	PUSH ON (P)	THREADED (T)	INSIDE CAULK (X)	PVC/ABS (-30/-31)
2"	12 1/4"	12 3/4"	11 1/2"	12"	12 1/8"
3"	12 1/4"	12 3/4"	11 7/8"	12"	12 3/8"
4"	12 1.4"	12 3/4"	11 7/8"	12"	12 3/8"
5"	12"	-	11 7/8"	15 1/8"	-
6"	12"	15 7/8"	-	-	-

The A3 body is manufactured as a transition body and requires an A1 body assembled to it to form the outlet connection.

Design and dimensions are subject to modification. Prices do not include applicable taxes. Visit www.mifab.com for the most recent product information.

MIFAB, Inc., 1321 West 119th Street, Chicago, Illinois 60643-5109, USA

Toll Free 1-800-465-2736, Fax 773-341-3049

All sales subject to MIFAB's Terms and Warranties. Please refer to inside front cover.