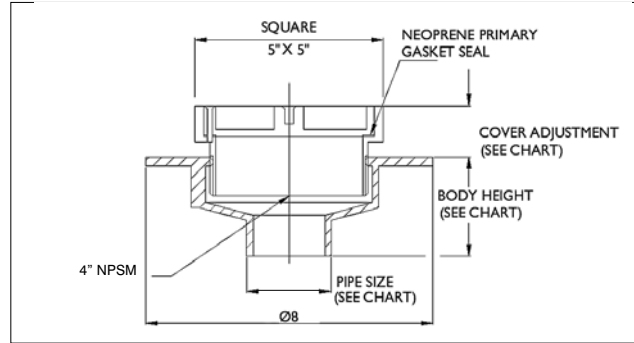
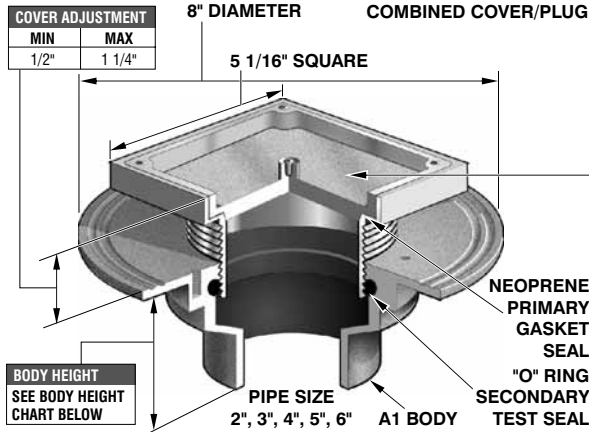


C1100-US FLOOR CLEANOUT WITH SQUARE TOP AND TERRAZZO RECESS

C1100-US SERIES

SERIES

CLEANOUTS



ANSI/ASME RATING	
COVER	LOAD RATING
5" DIA. NB	2000-4999 lbs
5" DIA. SS	5000-7499 lbs

PARTS	A1 BODY	US-1 or -3

C1100 SERIES MEETS ANSI CLEANOUT STANDARD A112.36.2M-1991

C1100-US FLOOR CLEANOUT WITH SQUARE TOP AND TERRAZZO RECESS

MODEL NUMBER	WT. Lbs	COVER SIZE	OUTLET SIZE	LACQUERED CAST IRON BODY WITH NB (-1) OR SS (-3)
C1102-US	8.75	5" x 5"	2"	\$504.00
C1103-US	8.00	5" x 5"	3"	\$523.00
C1104-US	8.75	5" x 5"	4"	\$637.00
C1105,6-US	10.00	5" x 5"	5", 6"	\$924.00

A1 BODY HEIGHT

PIPE SIZE	NO HUB (STANDARD)	PUSH ON (P)	THREADED (T)	INSIDE CAULK (X)	PVC (-30)	ABS (-31)
2"	3"	3 3/8"	2 1/4"	3 3/4"	2 15/16"	
3"	3"	3 3/8"	2 5/8"	3 3/4"	3"	
4"	3"	3 3/8"	2 5/8"	3 1/2"	3"	
5"	3"	-	2 5/8"	6 7/8"	-	
6"	3 1/4"	6 1/2"	-	-	-	

C1100-US, C1100-XR AND C1100-XS SERIES OPTIONAL VARIATIONS

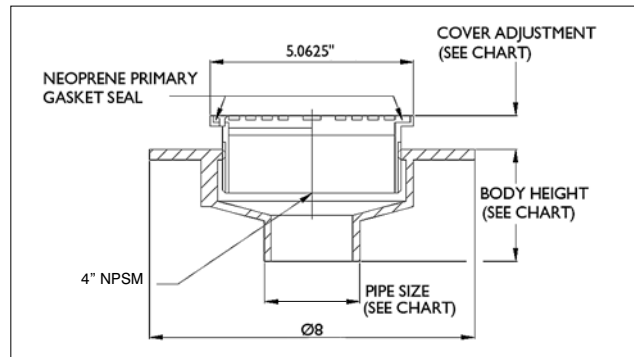
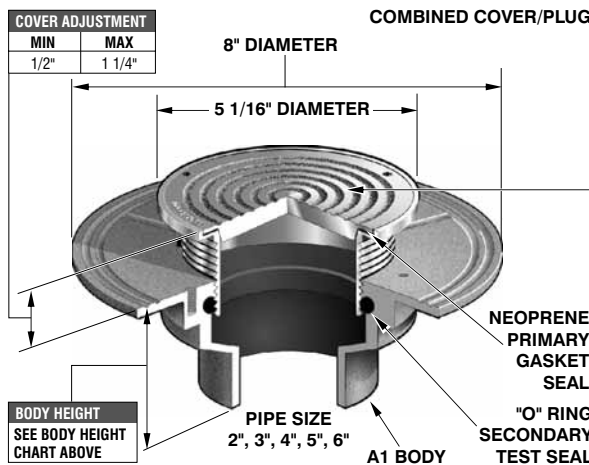
SUFFIX	DESCRIPTION	LIST PRICE	SUFFIX	DESCRIPTION	LIST PRICE
-6	Security screws (TR25 Torx & pin)	\$ 36.00	-34	T-cone plug and gasket (2", 3", 4") (C1440 Series)	\$187.00
-11	Acid resistant epoxy coating (Min. order 25pcs. or P.O.A.)	\$ 185.00	-C	Membrane clamp (A1-C1)	\$ 43.00
-13	All galvanized (Min. Order 25 pcs. or P.O.A.)	\$ 113.00	-NH	No hub outlet	Standard
-28	Stainless steel body (Type 304) (2", 3", 4")	P.O.A.	P	Push on outlet (2", 3", 4")*	No Add
-30	PVC socket connection body* (2", 3", 4")	No Add	T	Threaded outlet (2", 3", 4")	\$ 40.00
-31	PVC socket connection body* (2", 3", 4")	No Add	X	Inside caulk outlet (2", 3", 4")	No Add
			-Z	Extended wide flange (13" Dia. x 1/8" thick)	P.O.A.

Specify POG-6 for C.I. pipe and POG-6-PVC for 6" PVC pipe. 2", 3", 4" sizes use same gasket.

C1100-XR FLOOR CLEANOUT WITH HEAVY DUTY ROUND TOP

C1100-XR SERIES

SERIES



PARTS	A1 BODY	XR-1,3,4

C1100 SERIES MEETS ANSI CLEANOUT STANDARD A112.36.2M-1991

C1100-R FLOOR CLEANOUT WITH NICKEL BRONZE ROUND TOP

MODEL NUMBER	WT. Lbs	COVER SIZE	OUTLET SIZE	LACQUERED CAST IRON BODY WITH:	
				DUCTILE IRON (-4)	NB (-1) OR SS (-3)
C1102-XR	6.75	5" Round	2"	\$262.00	\$403.00
C1103-XR	6.25	5" Round	3"	\$301.00	\$421.00
C1104-XR	6.75	5" Round	4"	\$357.00	\$535.00
C1105,6-XR	8.00	5" Round	5", 6"	\$624.00	\$823.00

ANSI/ASME RATING	
COVER	LOAD RATING
5" DIA. NB	5000-7499 lbs
5" DIA. SS	5000-7499 lbs
5" DIA. DI	OVER 10,000 lbs

Design and dimensions are subject to modification. Prices do not include applicable taxes. Visit www.mifab.com for the most recent product information.

MIFAB, Inc., 1321 West 119th Street, Chicago, Illinois 60643-5109, USA

Toll Free 1-800-465-2736, Fax 773-341-3049

All sales subject to MIFAB's Terms and Warranties. Please refer to inside front cover.